

Даме Груев 1/1-4  
Скопје, Македонија

Тел. 070 363 795  
e-mail: andrea@intergradba.mk

**Scope of work: INTERGRADBA TANEVSKI DOOEL, Skopje**

- Design of buildings and structural analysis.
- Design of industrial buildings and supports for equipment and structural analysis.
- Design of bridge structures and structural analysis.
- Supervision and checking of structural design.
- Development of software utilities for structural design

**Selected works for reference:**

**HEAVY INDUSTRY**

**Design and Construction works for part of the project for reconstruction and improvement of the Cement Factory “SharrCem” (HOLCIM), Hani e Elezit, Kosovo:**

- Clinker Hall (30m span, 2100sqm)
  - Reconstruction for 70m length of collapsed part,
  - Improvement for 130m length of not collapsed part of the building
- Reconstruction and improvement of foundation and pylon for Kiln Line
- Customization, reconstruction and improvement of Cooler Building,
- Control Rooms interior construction.
- Reconstruction of old Clinker Hall

**Design service for Cement Factory “SharrCem” (HOLCIM), Kosovo**

- Foundations and support structures for cement silo (400t, 100t, 180t, etc.)
- Pedestrian overpass 18m length at 35m height
- Reconstruction and improvement of old Clinker hall
- Closure of Clinker hall

- Analysis for vibration influence on Raw Mill Building

### **Design and supervision service for Nickel production plant “FENI Industries”, Kavadarci,**

- Strengthening of dust duct supports for filter building, foundations for new filter building
- Support for pelletizer equipment within an existing building
- Conveyer belt (over 100m length), access road and platform, support structure for crusher equipment (MMD)
- Conveyer system for fine fraction (over 300m total)
- Steel hopper for nickel ore 1750t at Rzanovo mine
- Supporting structure 4 Silo for petrol-cox 500t, supports for all ducts, pedestrian overpasses up to 27m, Support structure for burners (150t), Strengthening adapting of existing buildings for the upgrading of existing burners (moving loads up to 70t), access roads and squares
- Reconstruction of Melting Building roof and ventilation
- Crusher plant at slag dump
- Urban plan and detail design for new slag dump
- Petcoke storage depot, petcoke processing plant and distribution system
- Improvement of drive supports for Kiln Line
- Design of roofs and shades for various buildings
- System for collection and preselecting of mud from storm water drainage system

### **Structural design service for Cement Factory “Usje”, Skopje**

- Steel bulk tower for cement trucks
- Silo and steel hopper fundaments
- Steel decorative structure on the top of cement silos

## **INFRASTRUCTURE, BRIDGES AND OVERPASSES**

### **Design**

- Detail design for overpass over bul. “Partizanski odredi”, Skopje (near hotel “Karpos”)
- Detail design for overpass over street str. “Cvetan Dimov”, Skopje (in front of school “Lirija”)
- Competition design for improvement of Goce Delcev Bridge (22+88+22m) in Skopje. Accepted in short-list.

- Competition design of bridge over accumulation Lake Kozjak, Macedonia, (57+86+96+86+57m).
- Detail design for pedestrian single span bridge over Lake Matka, 55m length

### **Contractor's main design**

- 46 Culverts, outlets and one bridge on railway section Kumanovo – Beljakovce, collaboration with H.F. WIEBE GmbH & KO.KG
- Bridges for highway Gradsko – Prilep on alternative route on the section Farish – Drenovo, collaboration with Construcciones Rubau S.A. (Girona, Spain), total length 330m

## **COMMERCIAL AND RESIDENTIAL BUILDINGS**

### **Structural design**

- Structural Design of the Shopping mall and parking house in Prishtina, Kosovo, 35 000 sqm
- Shopping center KAM Mall Cveten Pazar, Skopje, 35 000 sqm
- Shopping center KAM Mall Bitola, 8 000 sqm
- KAM Logistic center Ilinden, Skopje, 15 000 sqm
- Steel structure for production plant, Bossy Cereales Sa, Montagny, Switzerland
- Steel structure for car shop, RA Metallprofis GmbH, Bern, Switzerland

## **PUBLIC BUILDINGS**

### **Structural design**

- Structural design and supervision for memorial house of Mother Theresa - Skopje,
- Structural Design of the extension and upgrade of the Concert Hall “Univerzalna” – Skopje
- Structural Design of Revivification of St. Klemens University in Plaosnik, Ohrid – 11760 sqm
- Six High School buildings for Ministry for education of republic of Macedonia, approximately 6 000sqm
- Faculty for physical education, sport and health for Ministry for education of republic of Macedonia, approximately 6 000sqm steel structure
- Asylum stationary building 2800 sqm
- Flag pole 60m height

## **SUPPORT SERVICE FOR REGULAR CLIENTS**

### **Structural design service and/or supervision for:**

- Several steel construction companies (Prototip, Uniga, Intermont, etc.)
  - Storage hall for oil products Makpetrol,
  - Extension of steel production workshop – Prototip (2640sqm)
  - Sunshade for Hotel Bellevue (600sqm)
- A pool construction company (Santem-FF)
  - Over 35 Private and public pool projects
- Several outdoor advertising companies (Honor, ImagePlus, Polyesterday etc).
  - Over 20 Different outdoor signs and symbols up to 30sqm and 17m height
- Several mobile network builder (M-pay-intl, Egnatia, Telelink, Telekom etc)
  - 21 Mobile network poles
- One photovoltaic power plant builder Intebako
  - Over 35 Photovoltaic power plants from 50KWp up to 1MWp installed power
- Design for Cement Terminal in Prishtina, Kosovo.

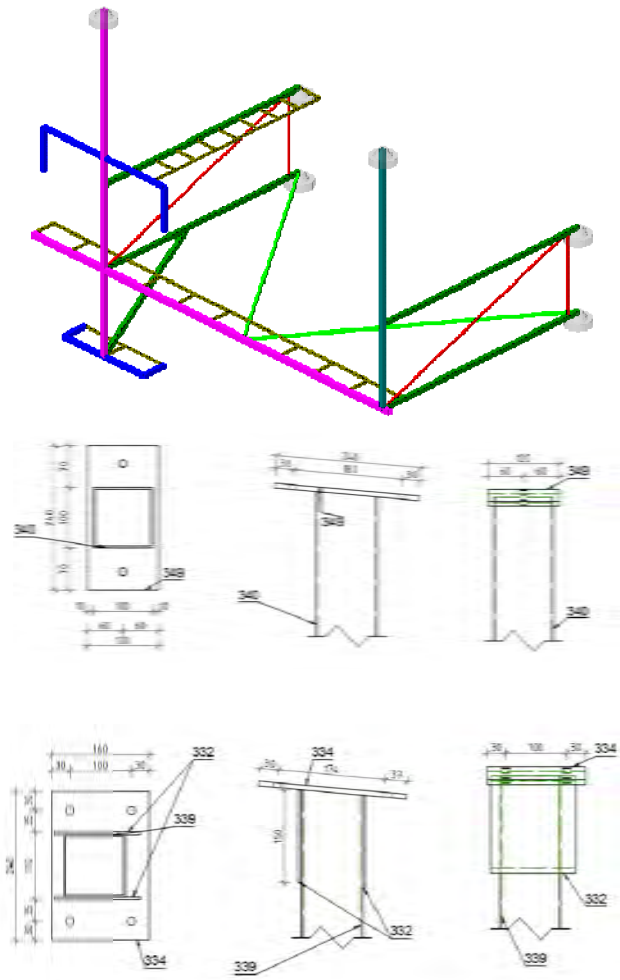
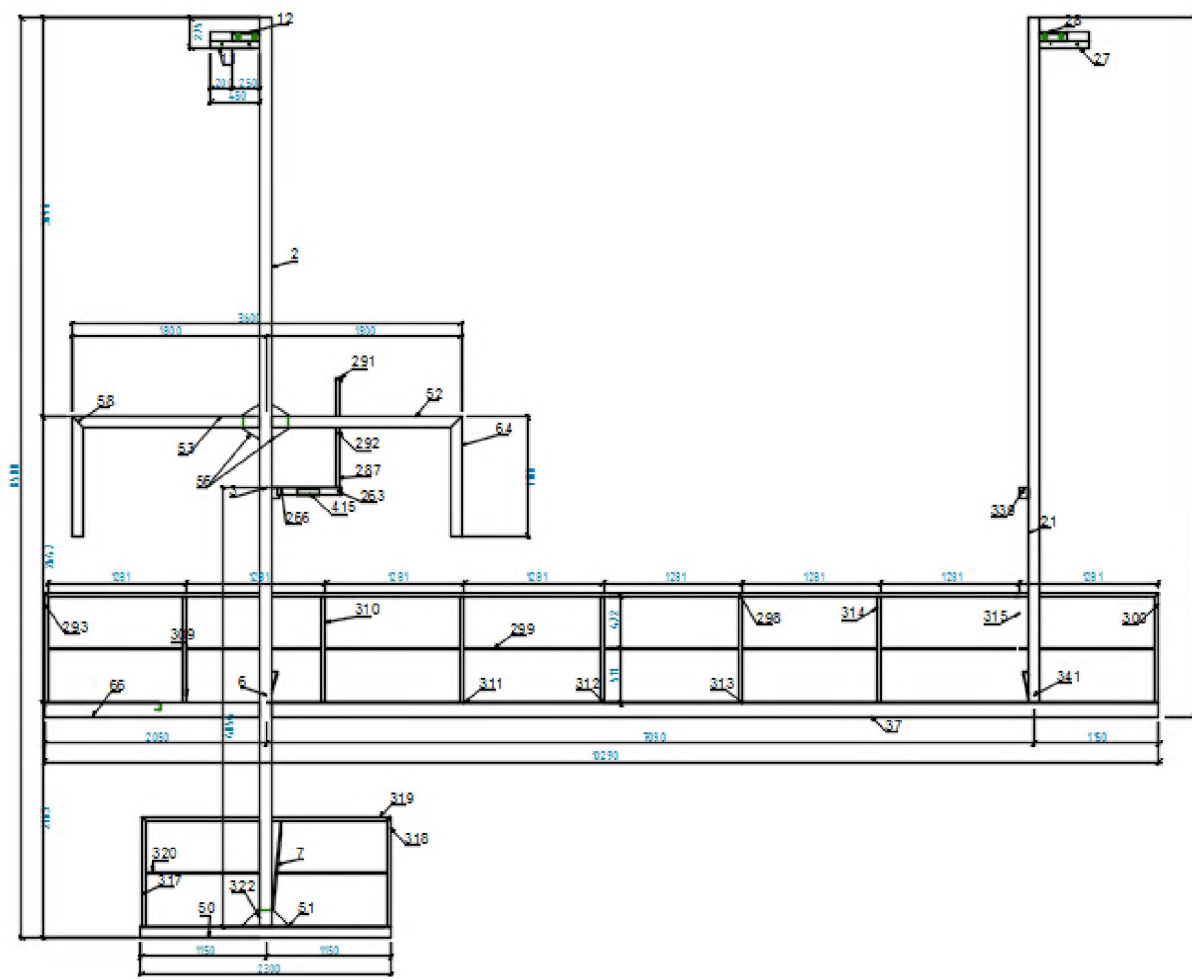
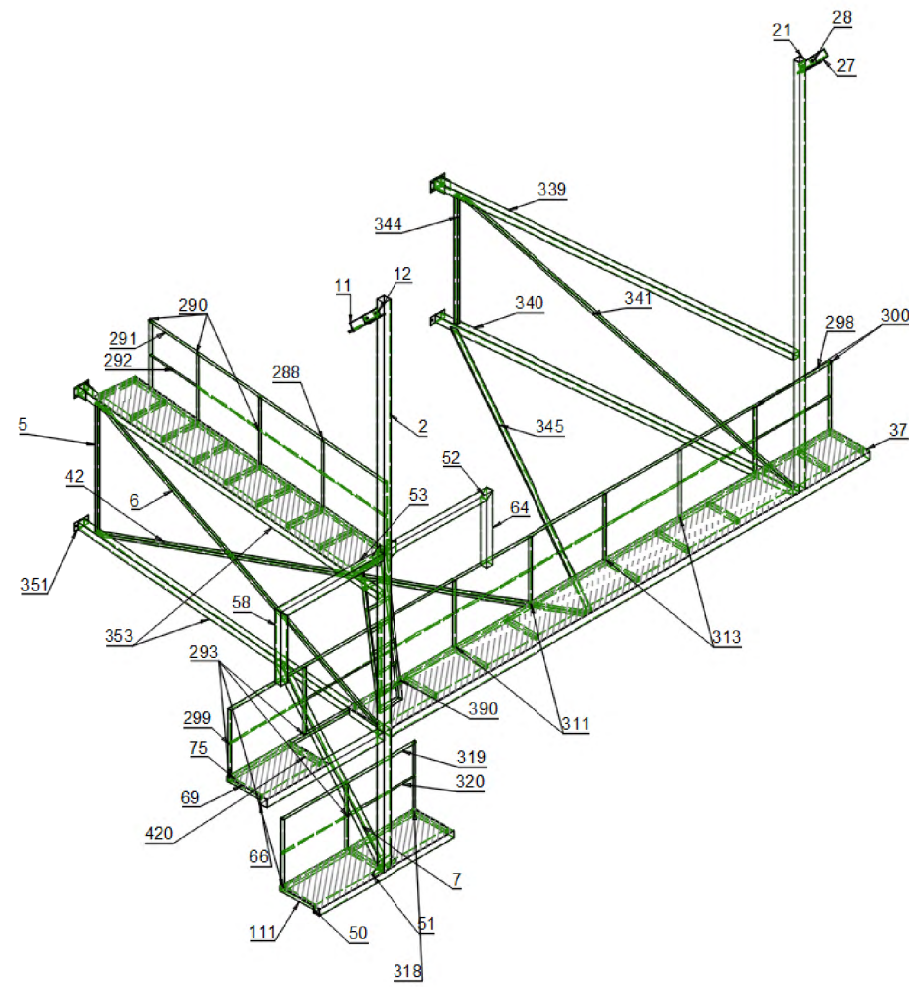
### **Structural design outsource service:**

- Apartment complex, Ljubljana, Slovenia
- Aqua-Centre, Livade, Slovenia
- Apartment complex, Galjevica, Slovenia
- Apartment complex, Brezovica, Slovenia

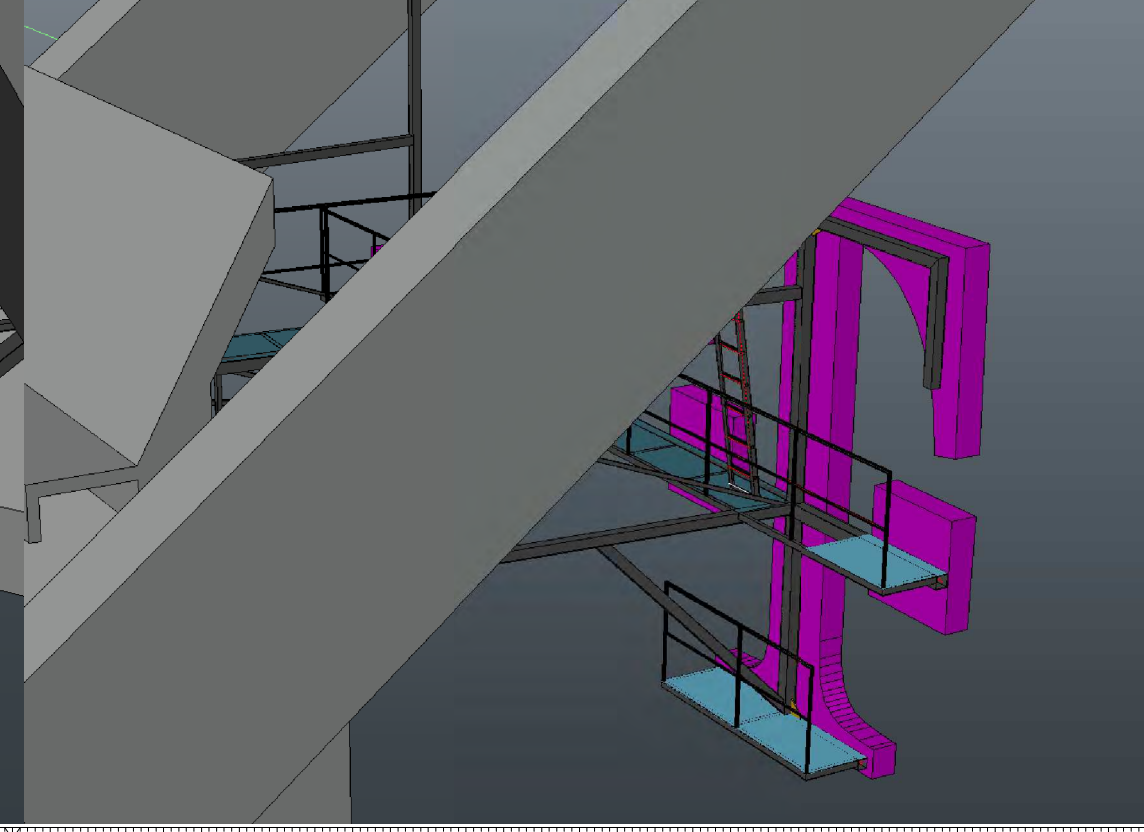
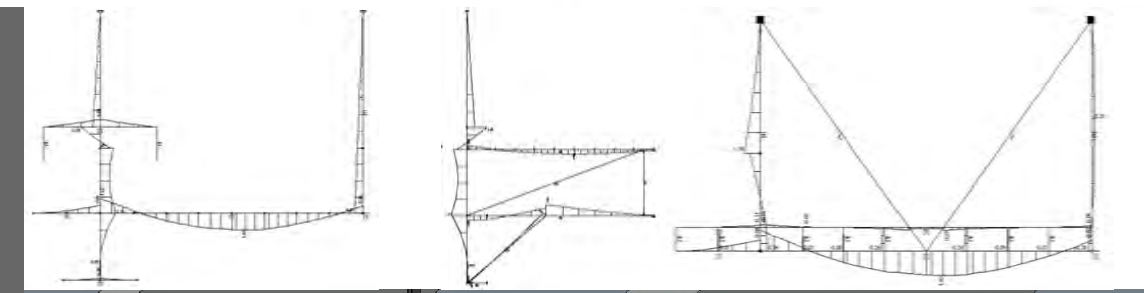
## **INDIVIDUAL EXPERIENCES**

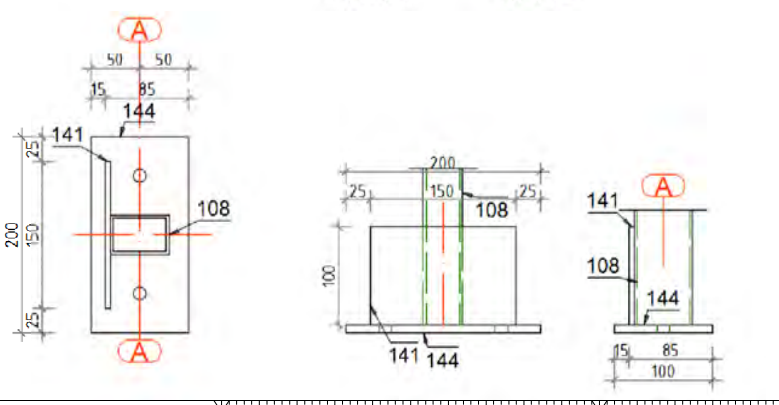
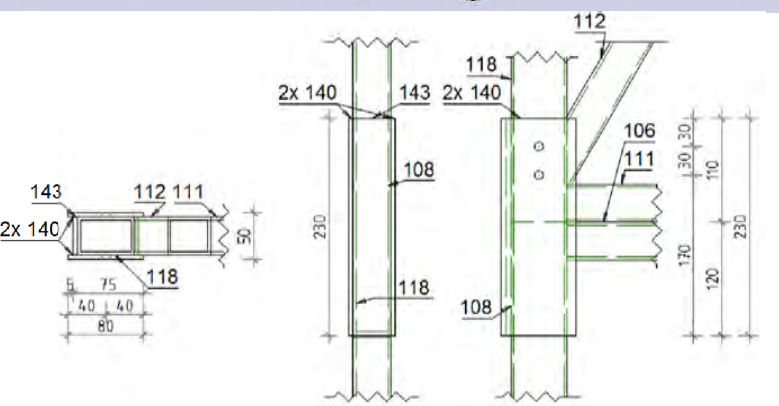
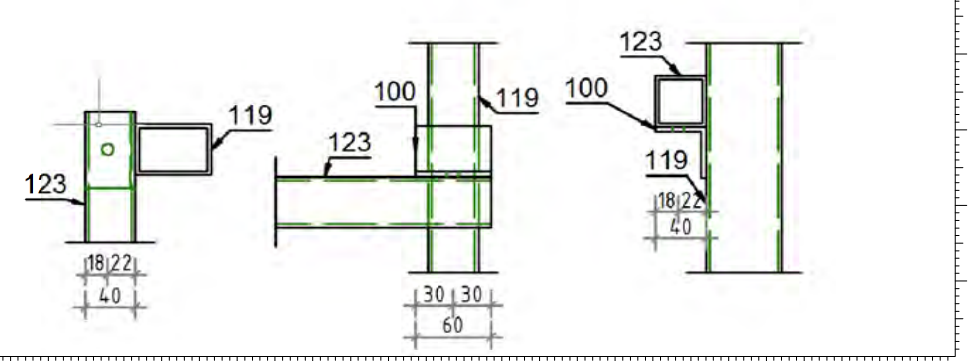
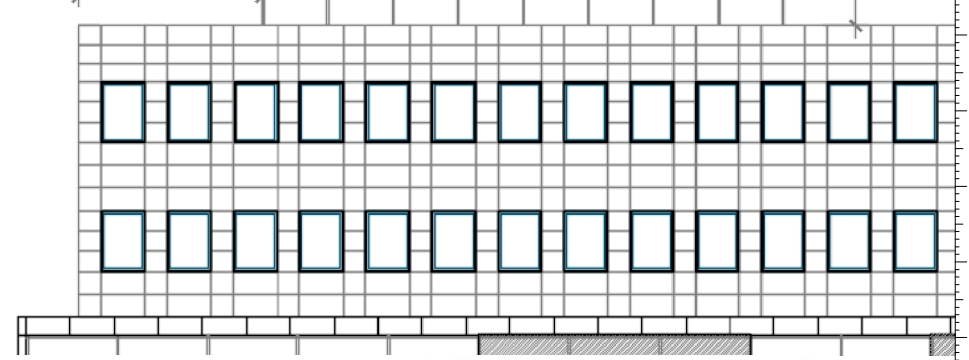
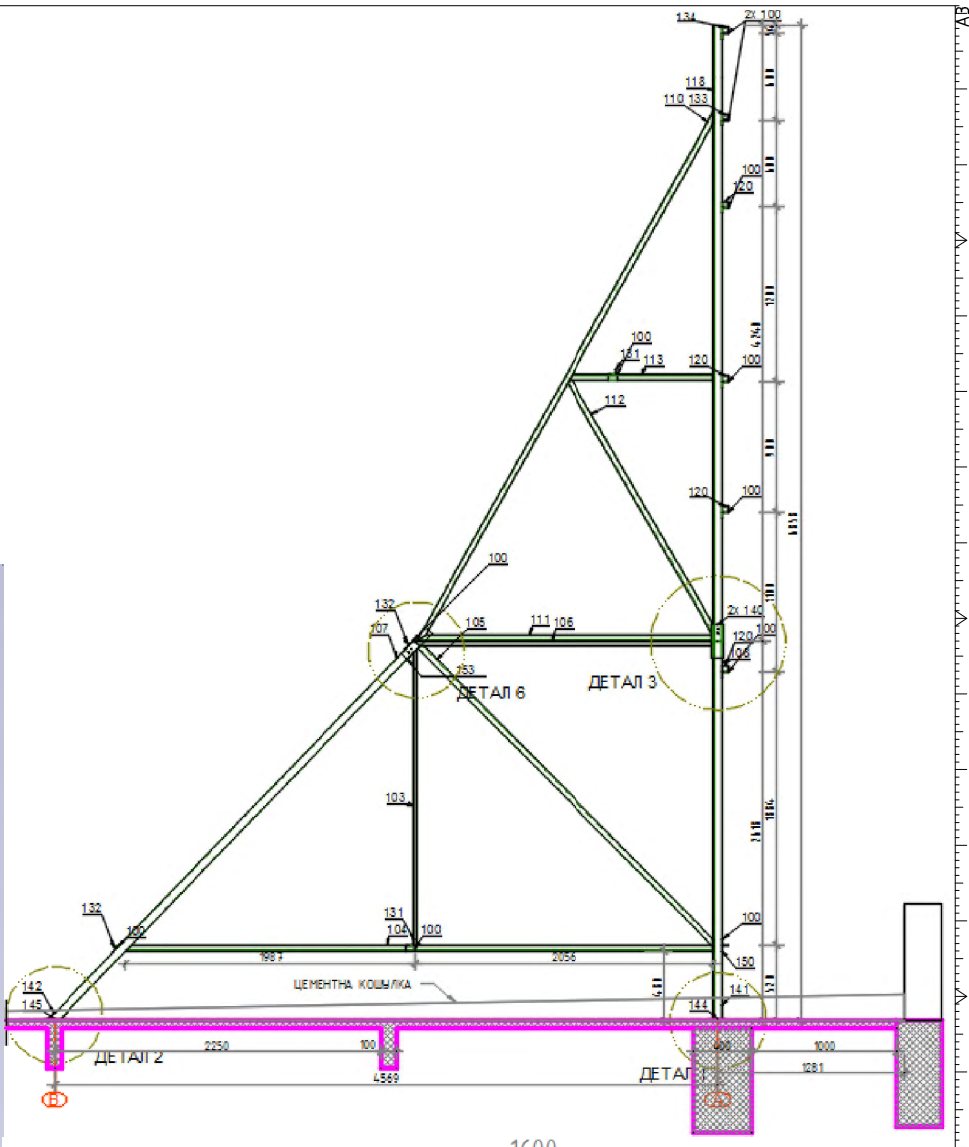
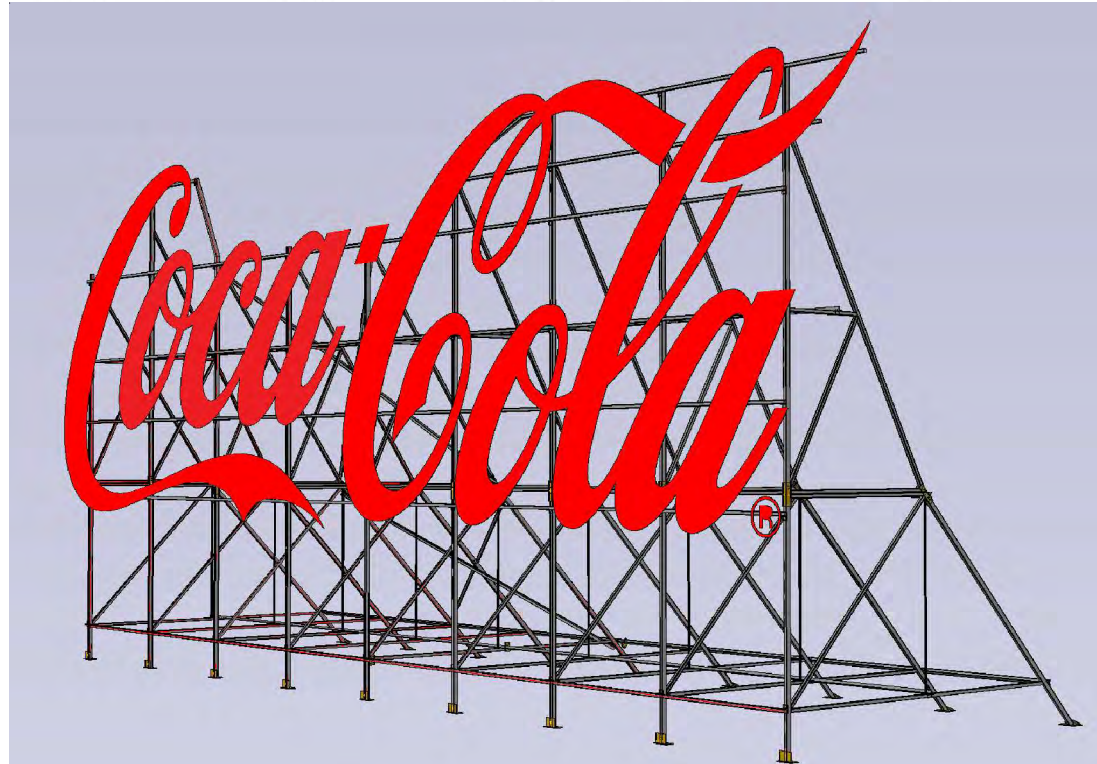
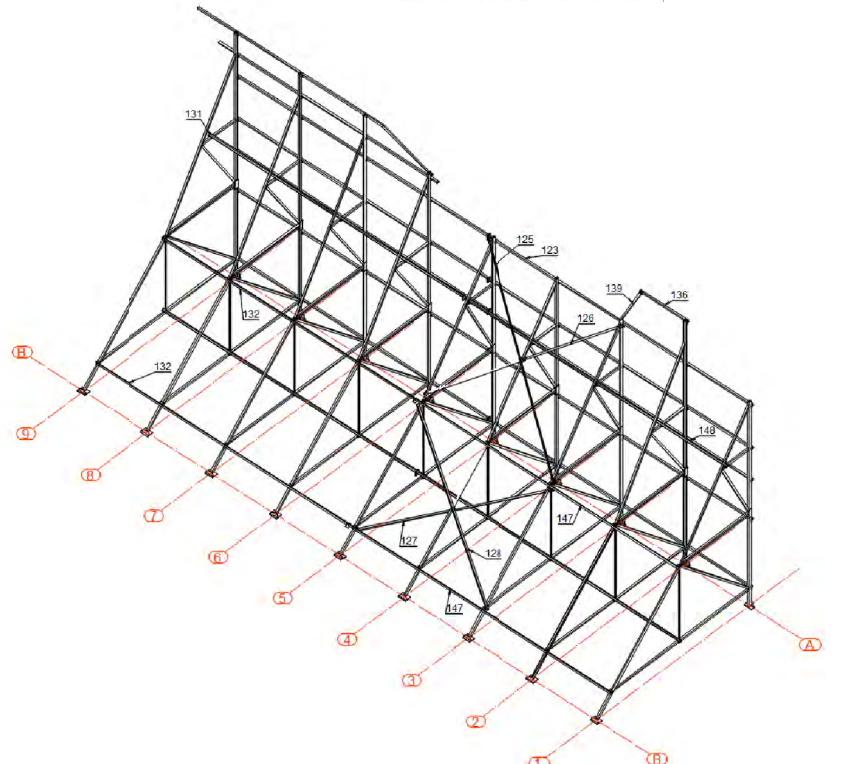
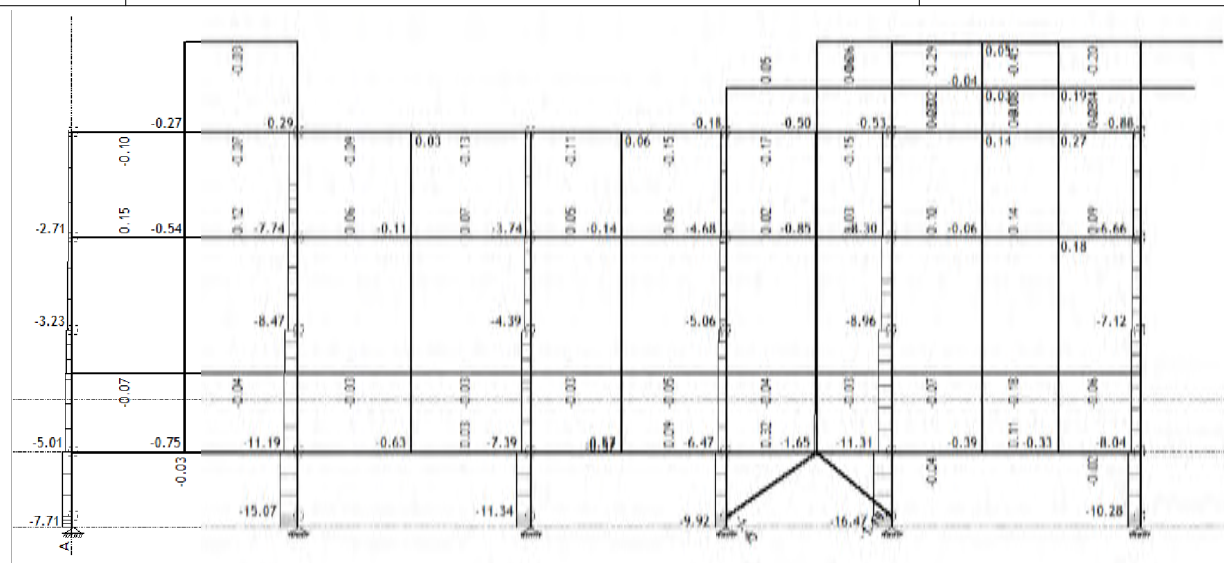
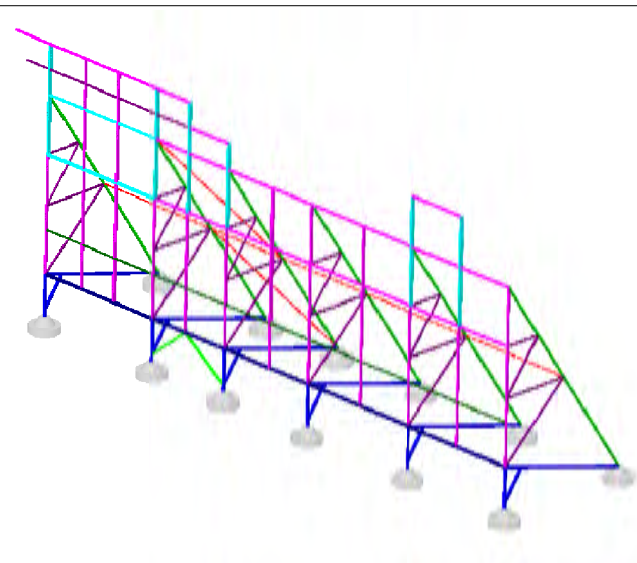
- STREIF Schallungsbau GmbH (Technisches Büro), Vettelschoss, Germany
- SDMC developer of Skopje Free Economic Zone Bunardzik, Skopje
- Hill International - ADO SA Consortium, Technical Assistance to the Development of Local Infrastructure, EUROPEAID/113950/D/SV/MK , Skopje

Andrea Tanevski, Dipl.Ing.



ISO838

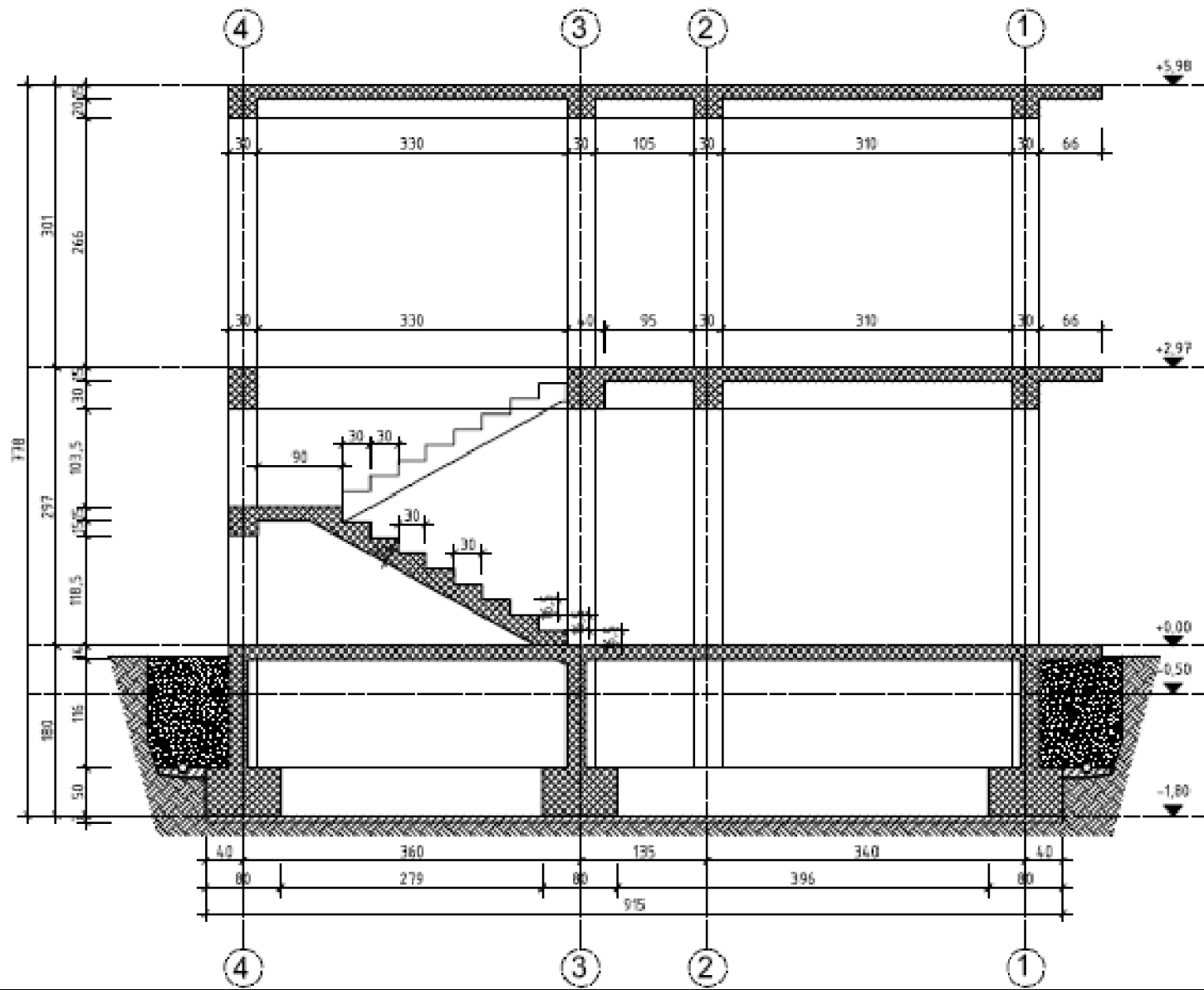
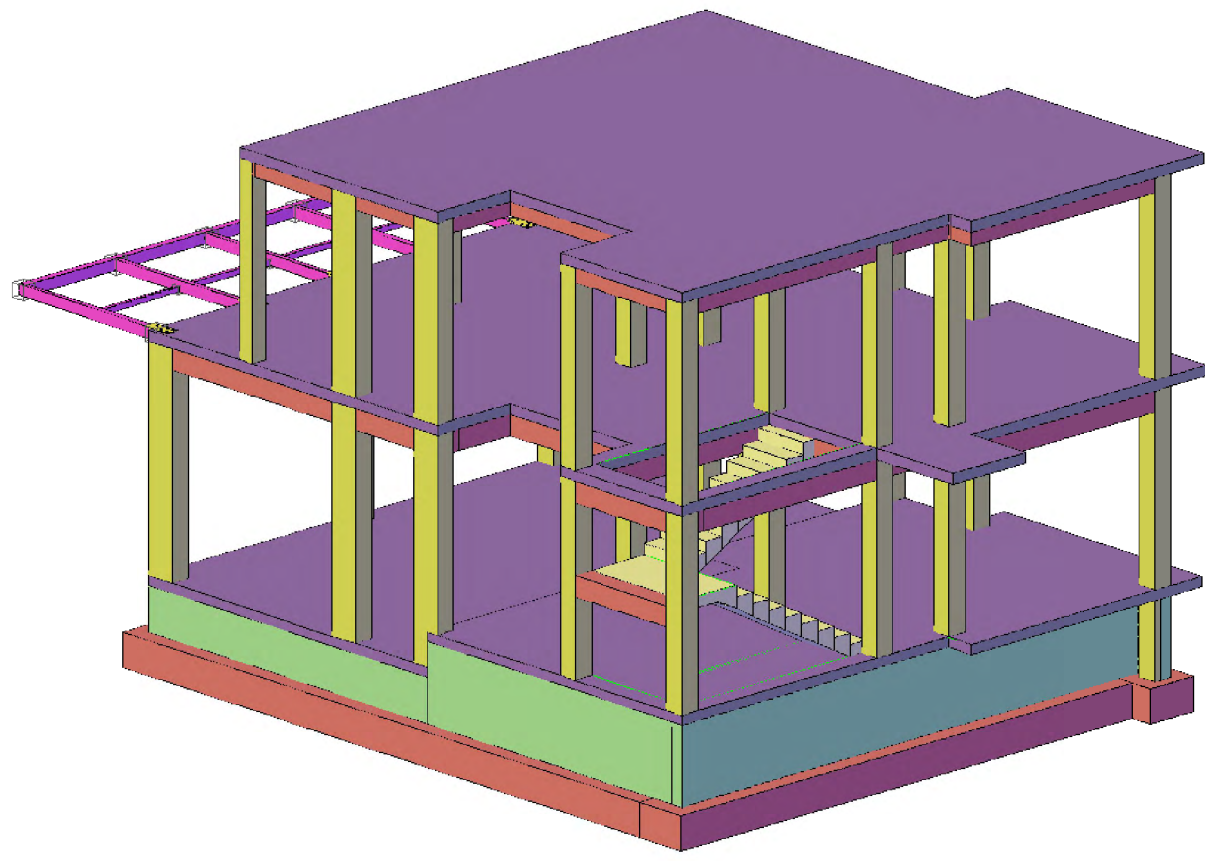
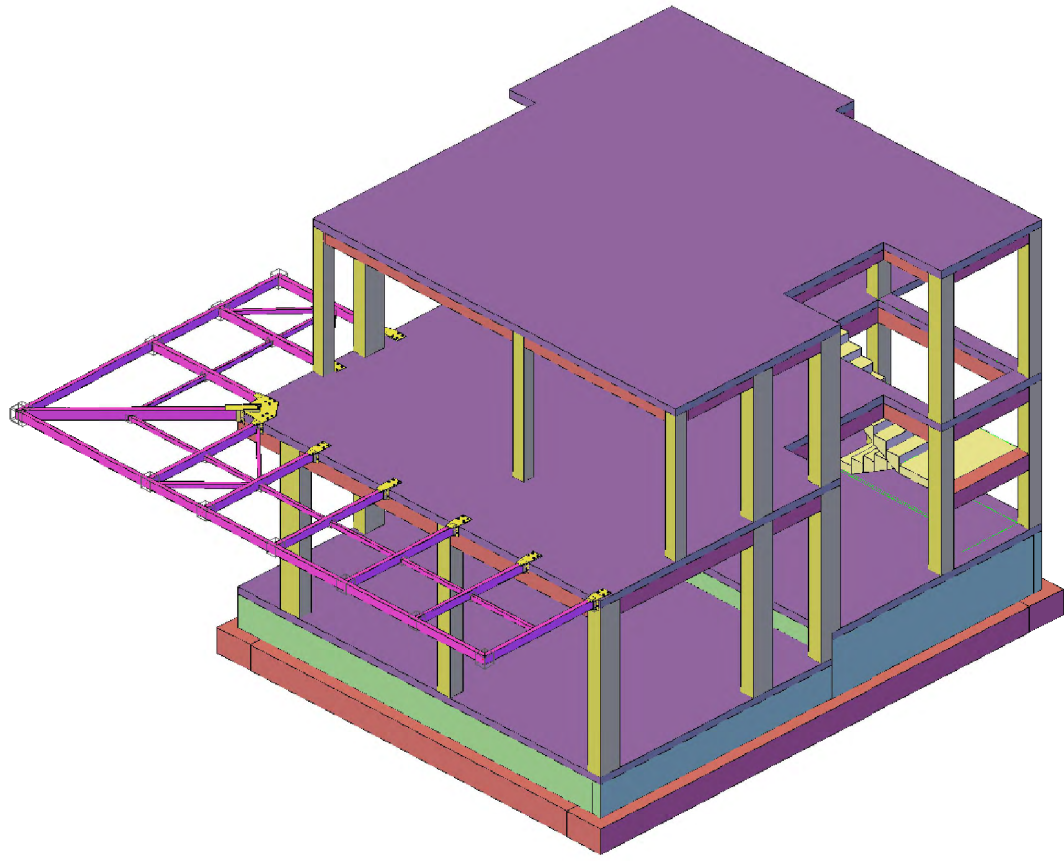




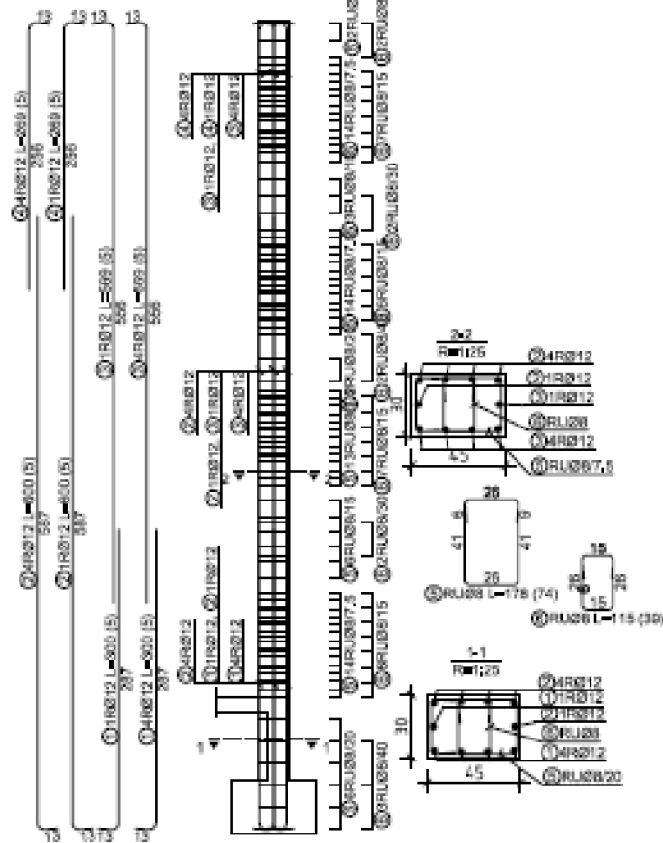
f  
f

ISO838

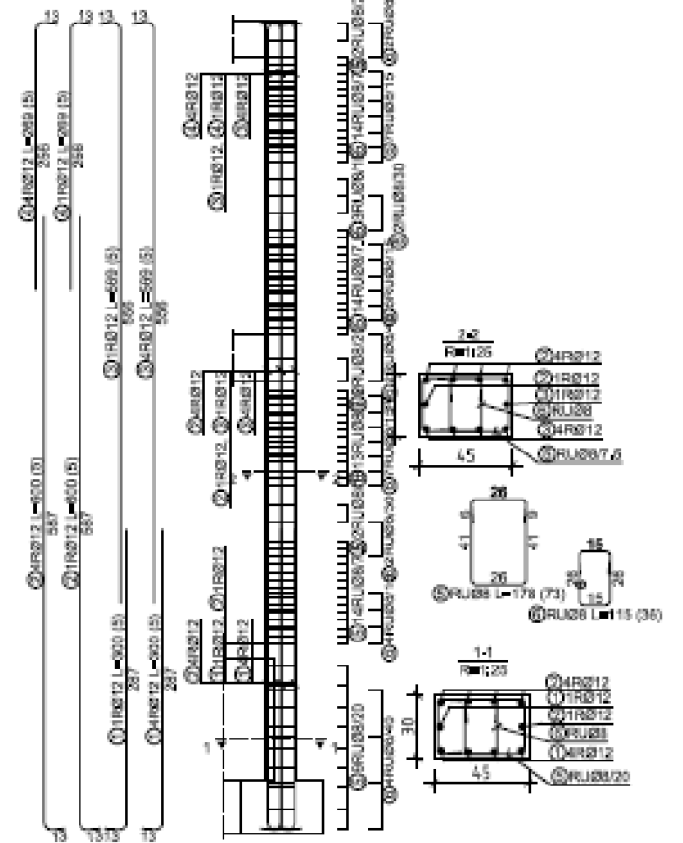
f  
f



CT016 C.1;  
M530, RA 400/500-2, a=2cm;  
n.1



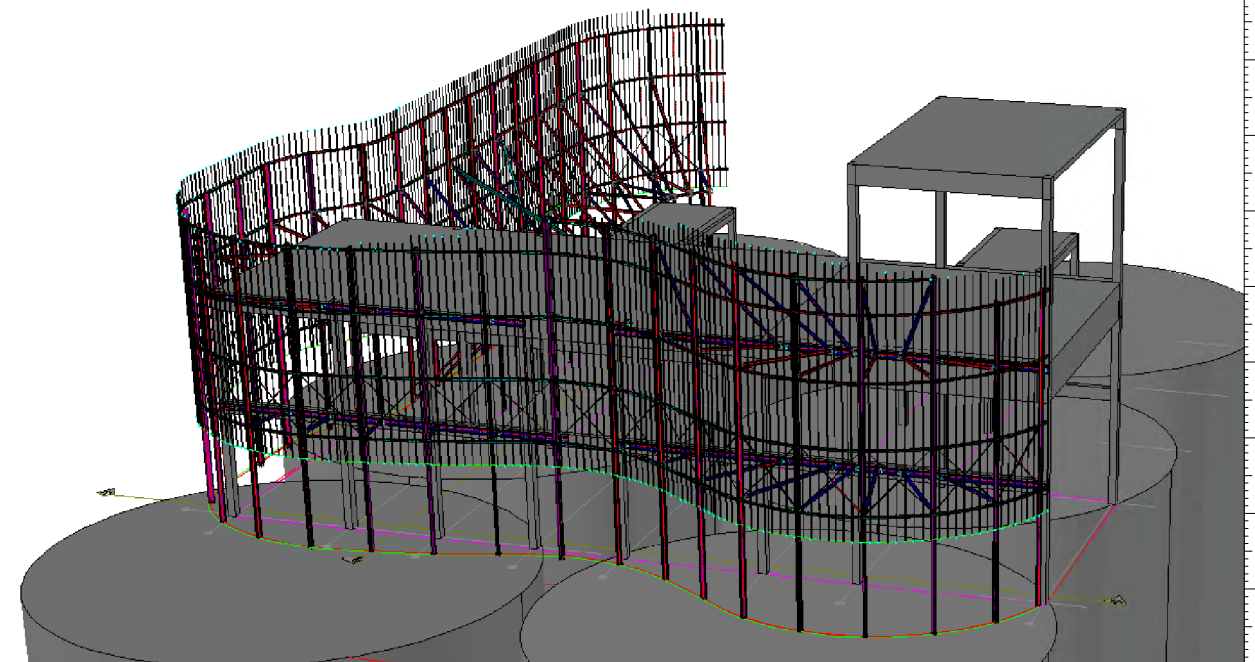
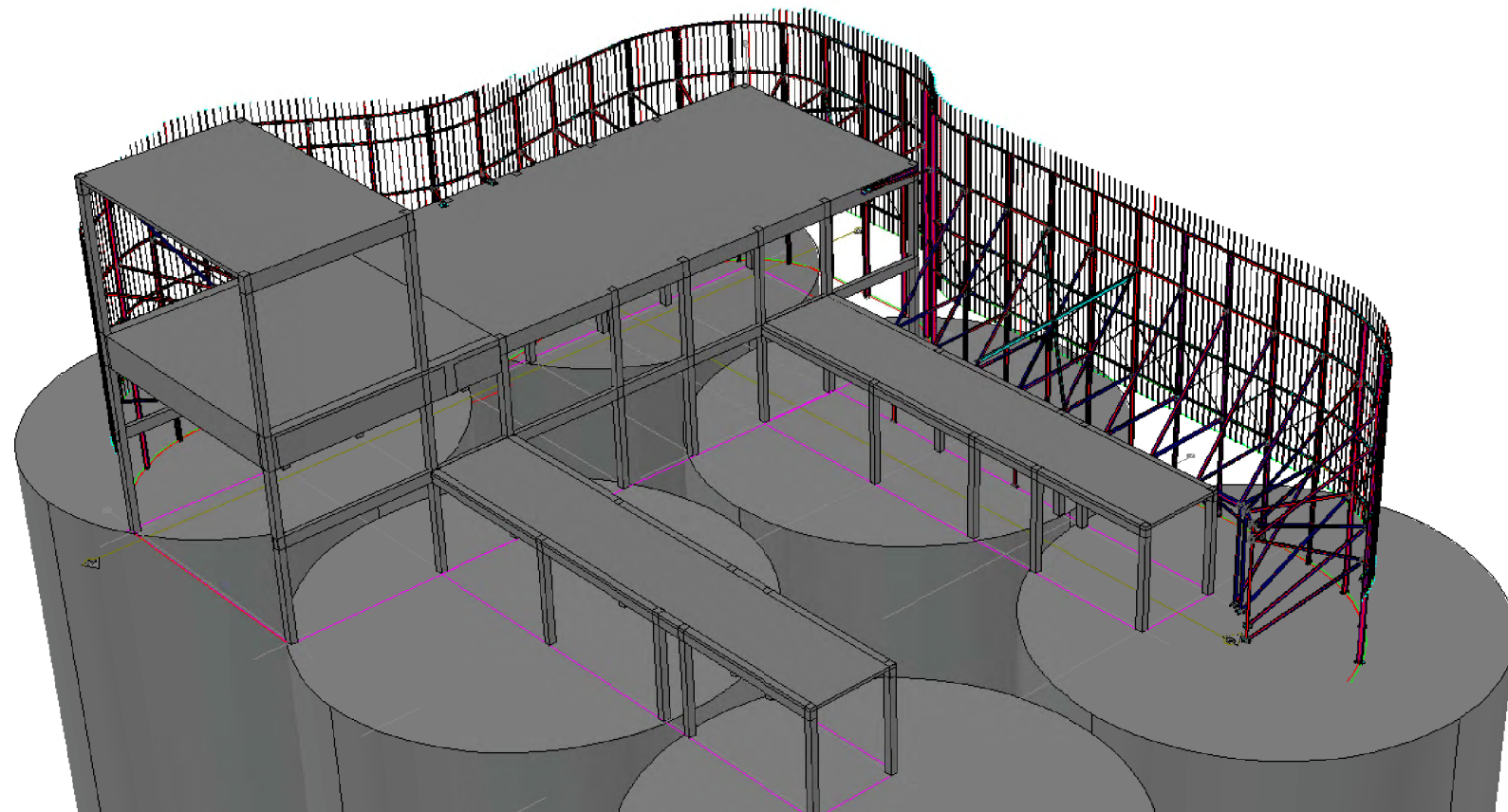
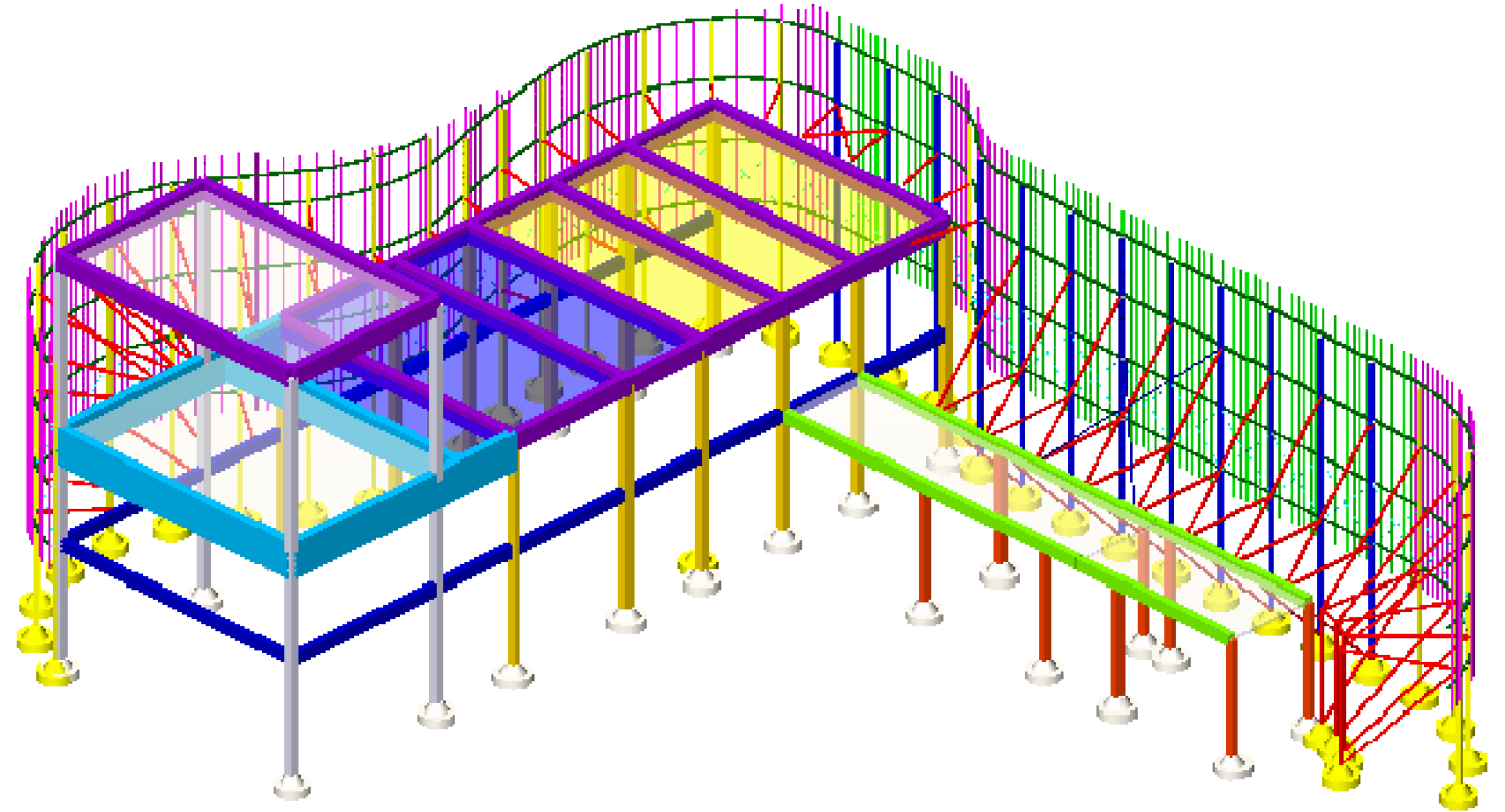
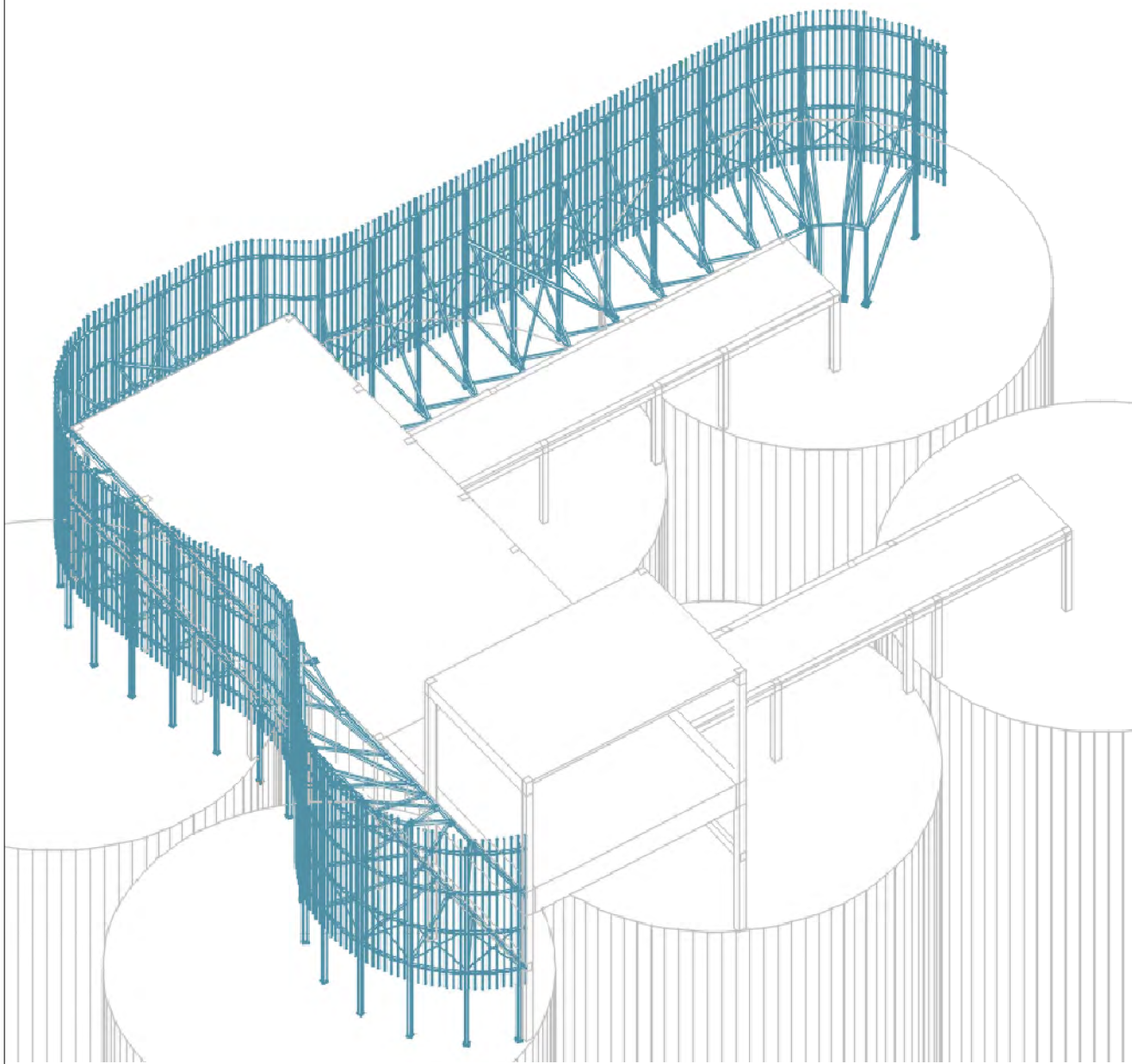
CT016 C.2, C.14;  
M530, RA 400/500-2, a=2cm;  
n.2



f  
t

IS0838

f  
t

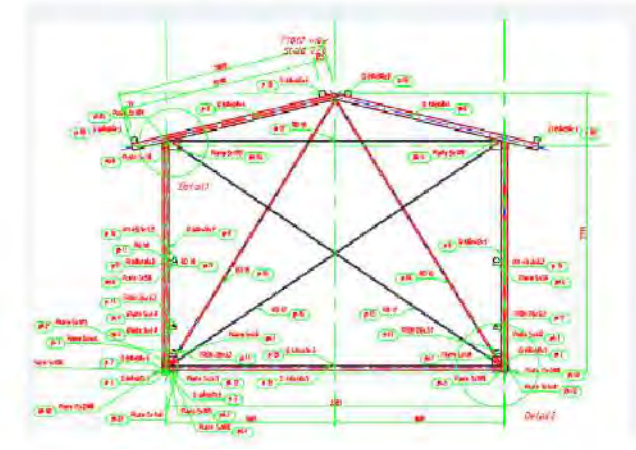
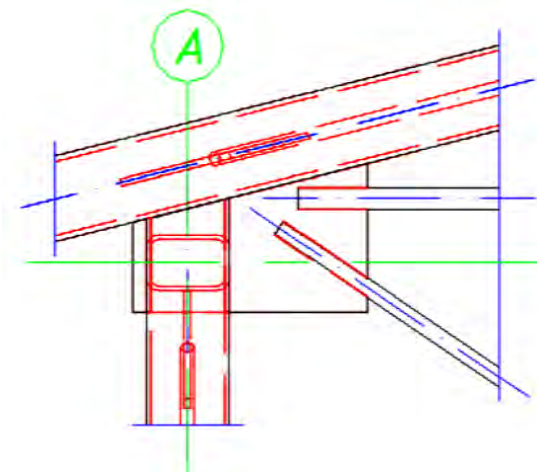
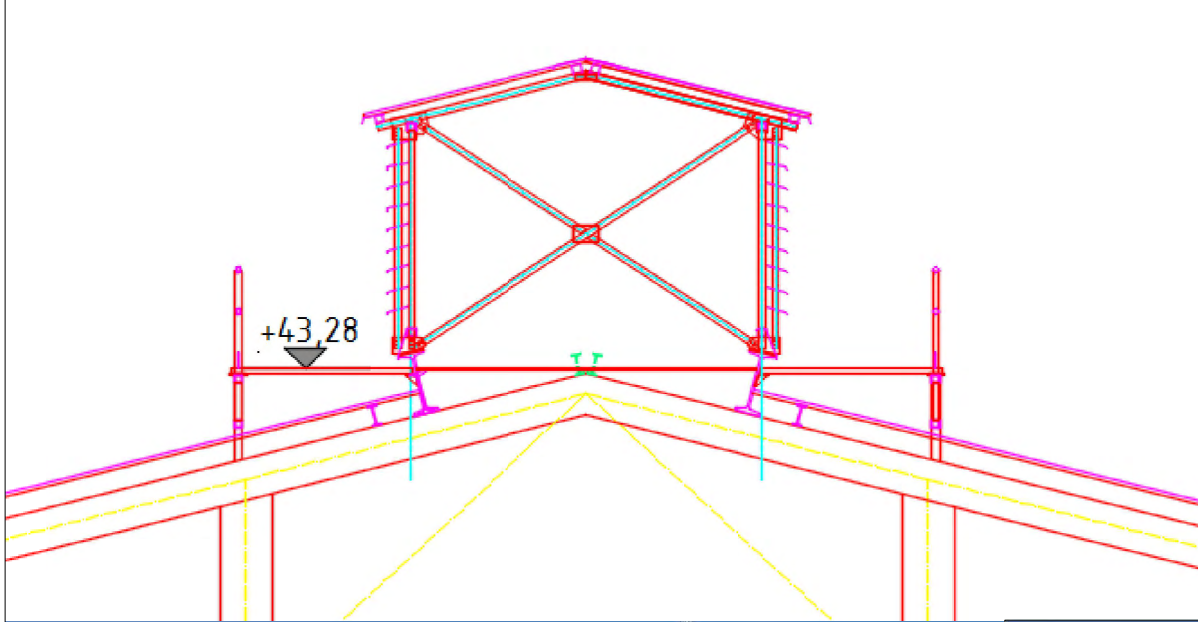
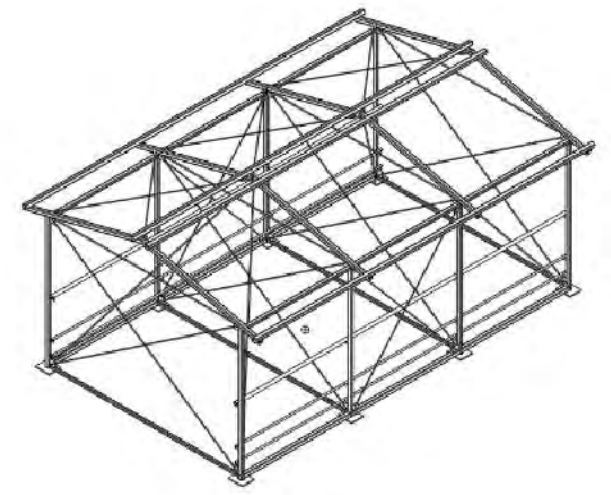
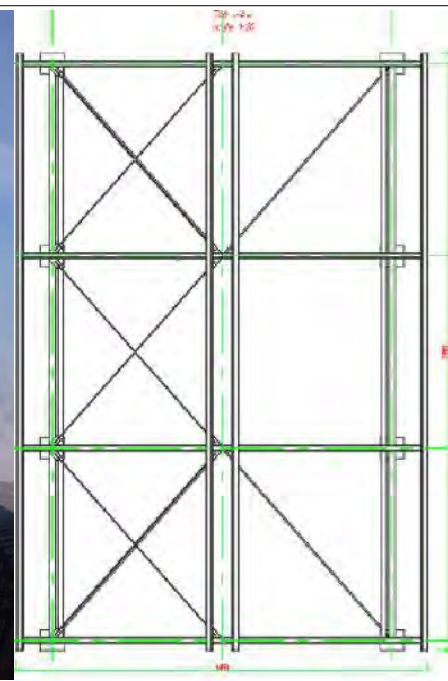


ISO838



0 100 200 300 400 500 600 700 800 900 1000

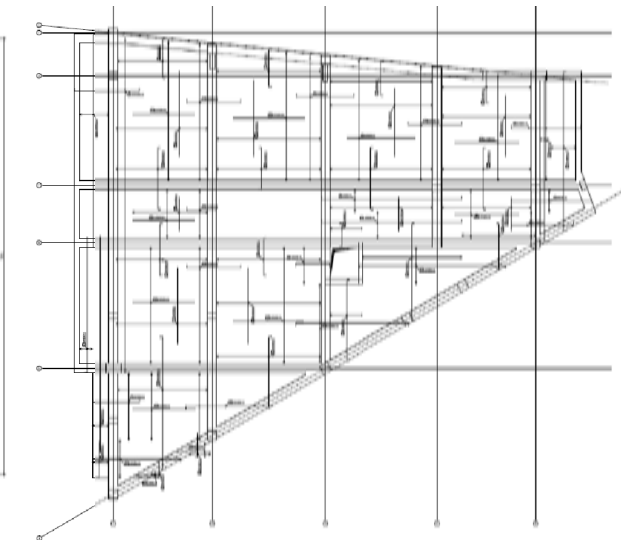
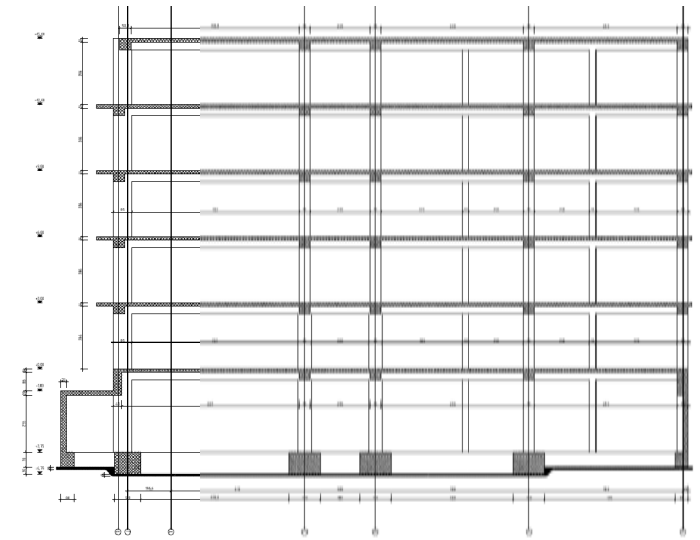
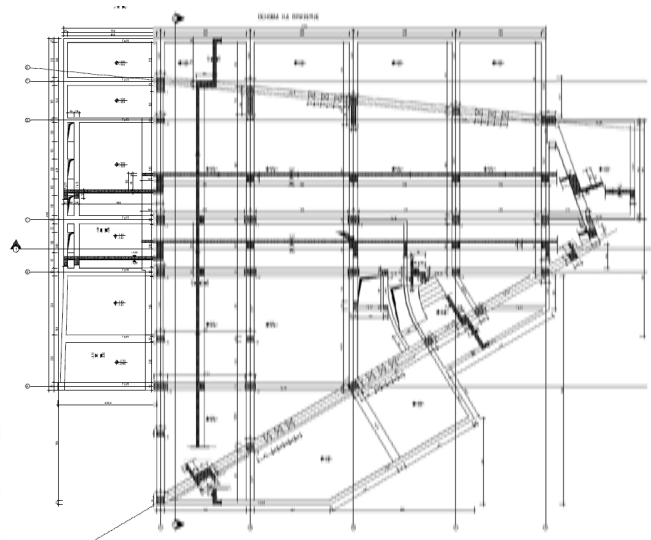
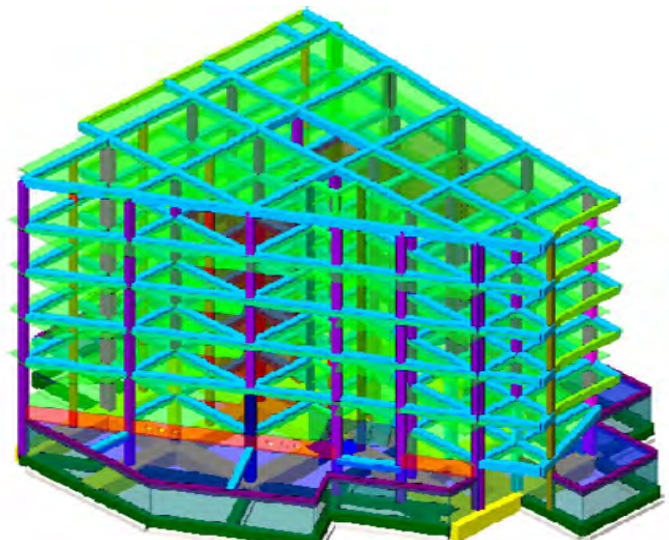
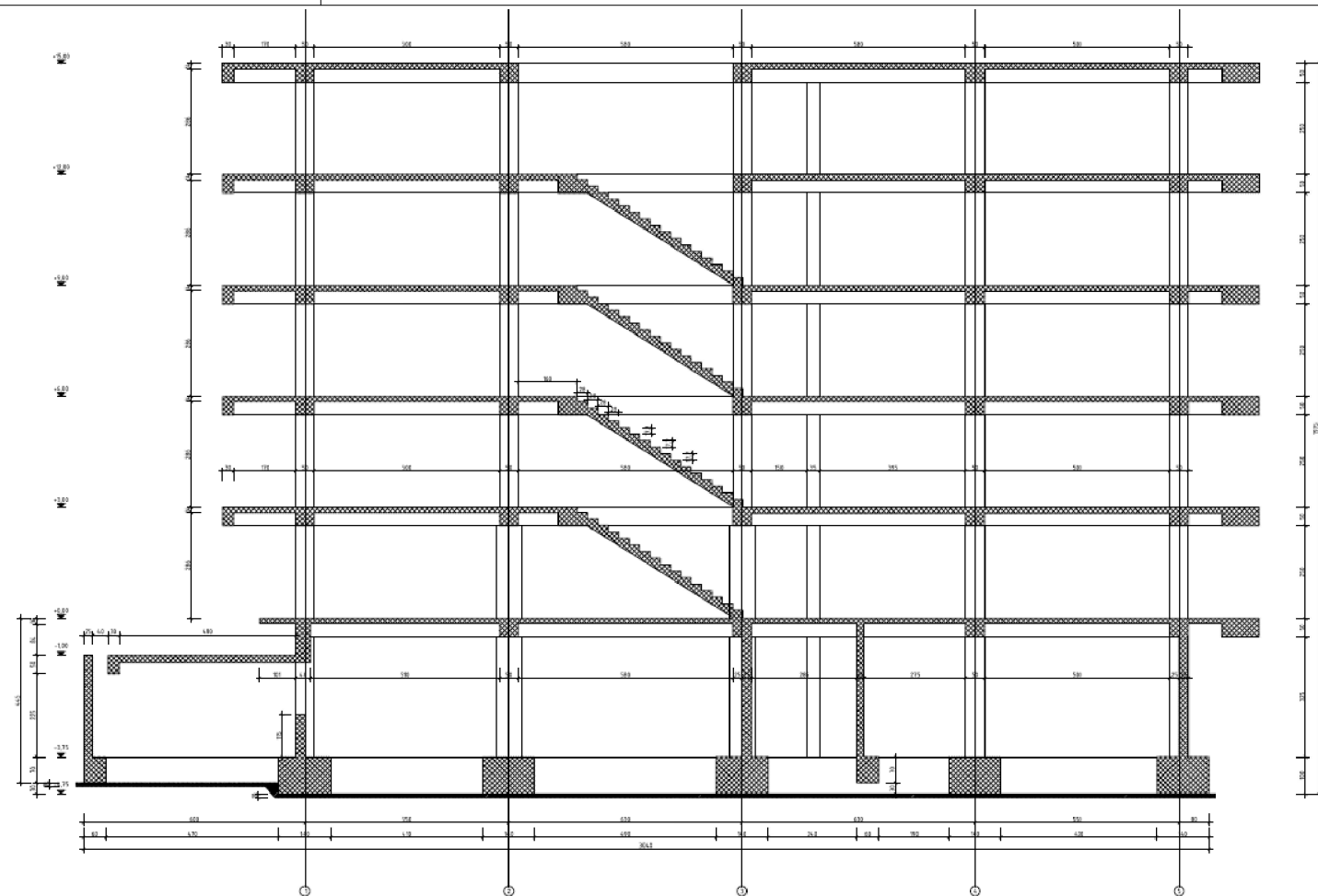
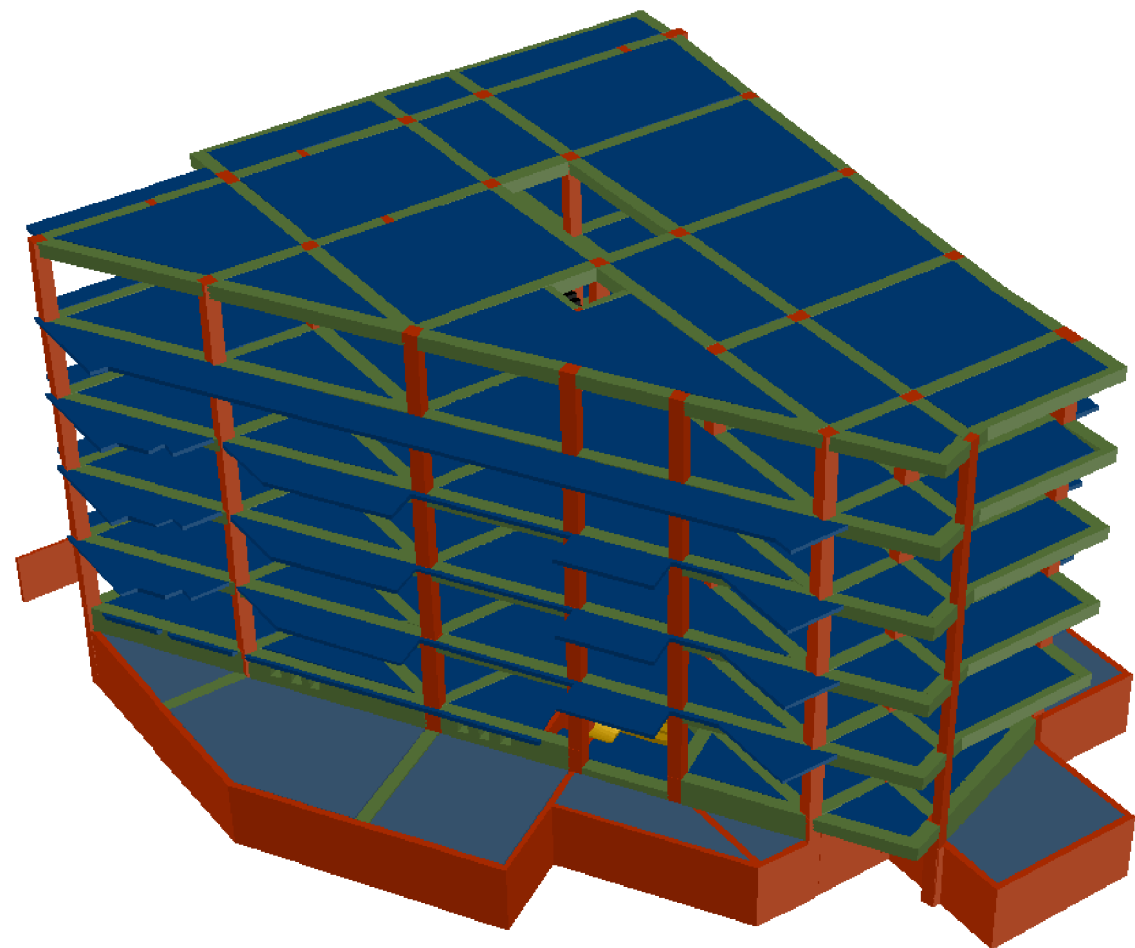




F  
F

ISO838

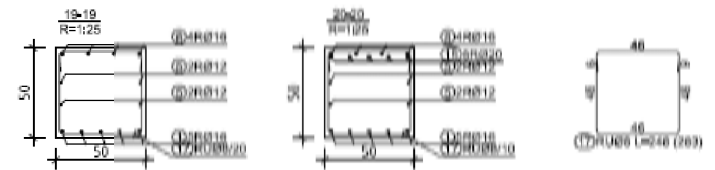
F  
F



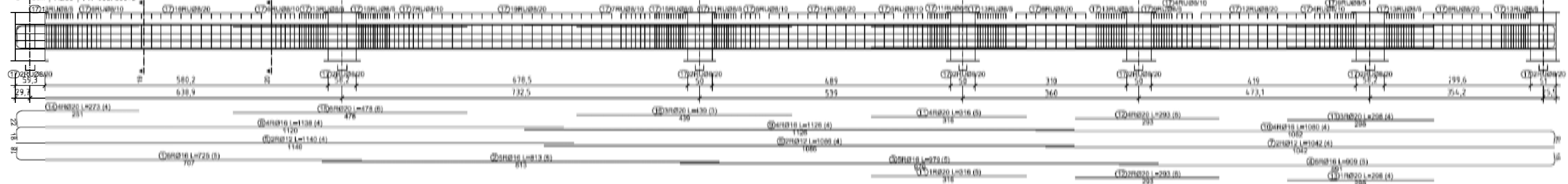
7  
4

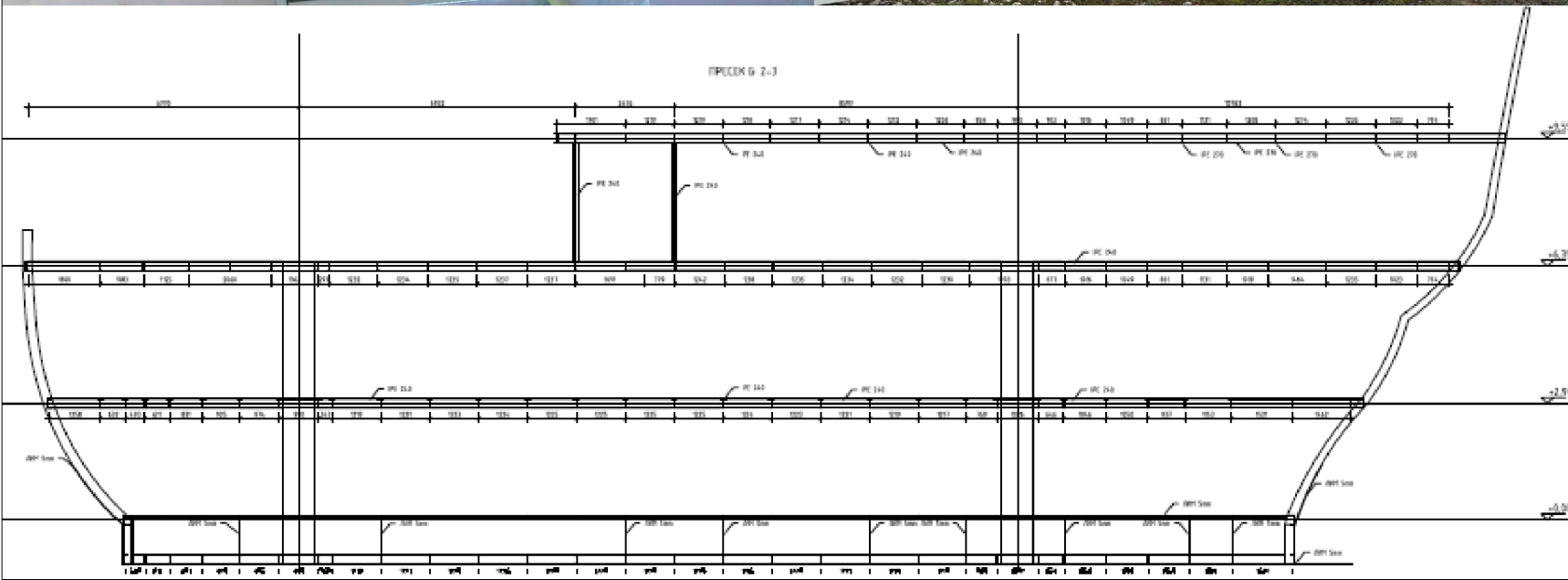
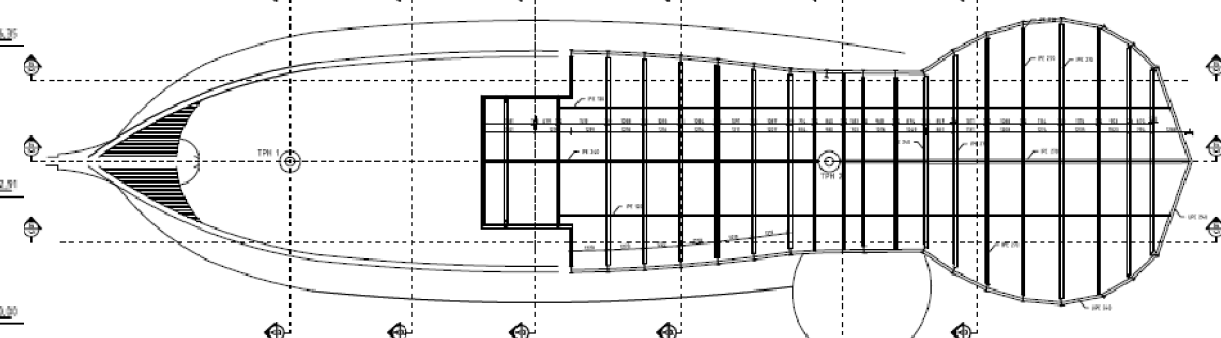
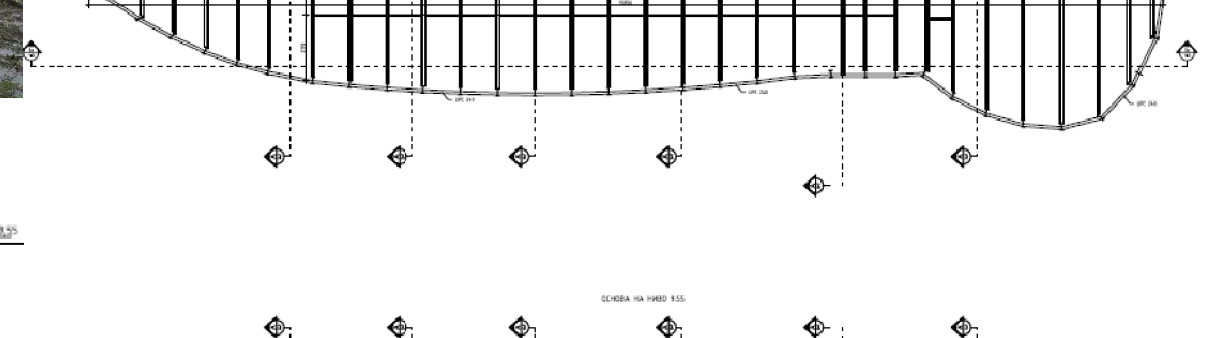
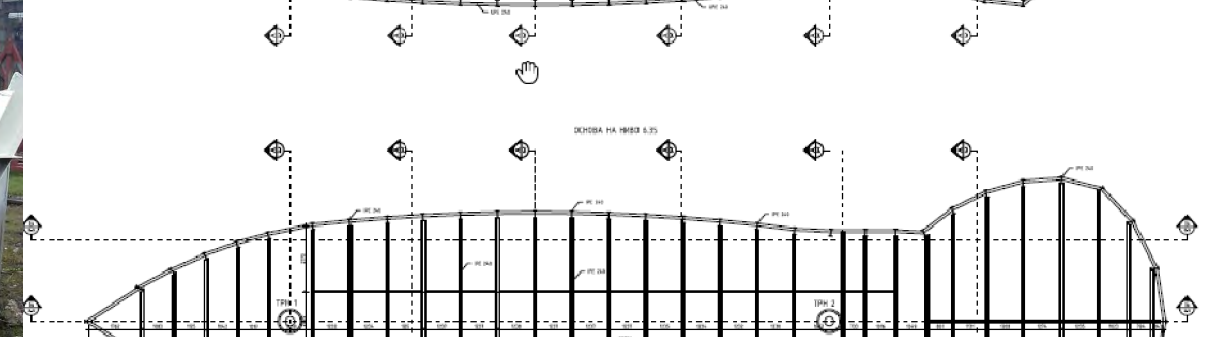
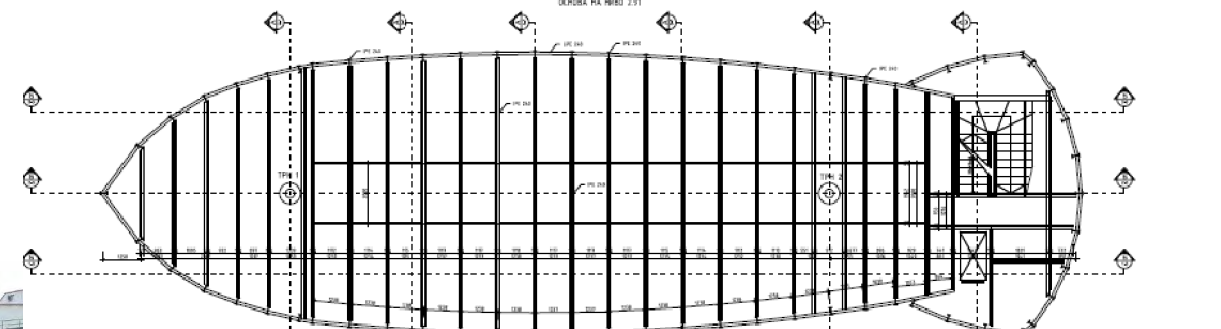
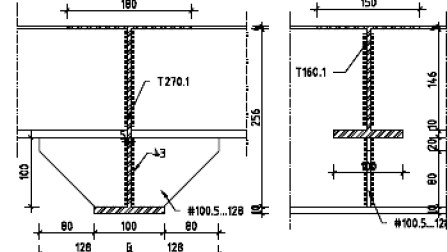
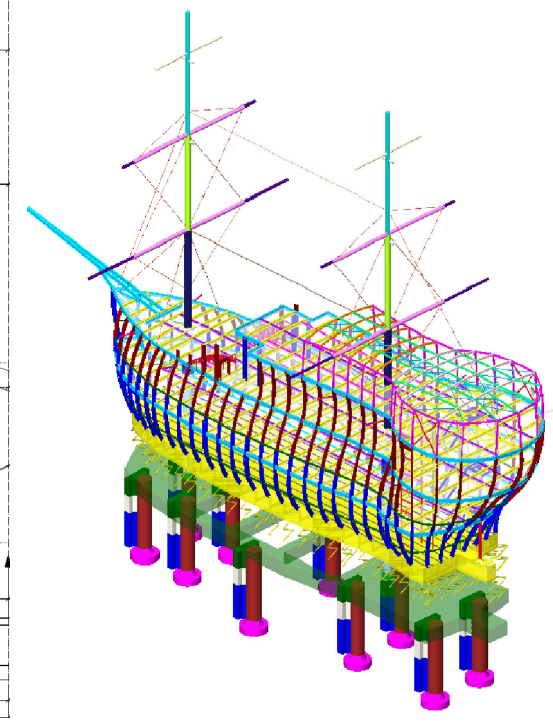
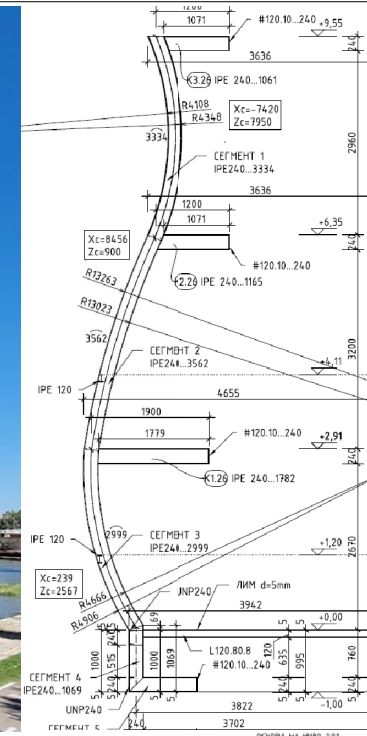
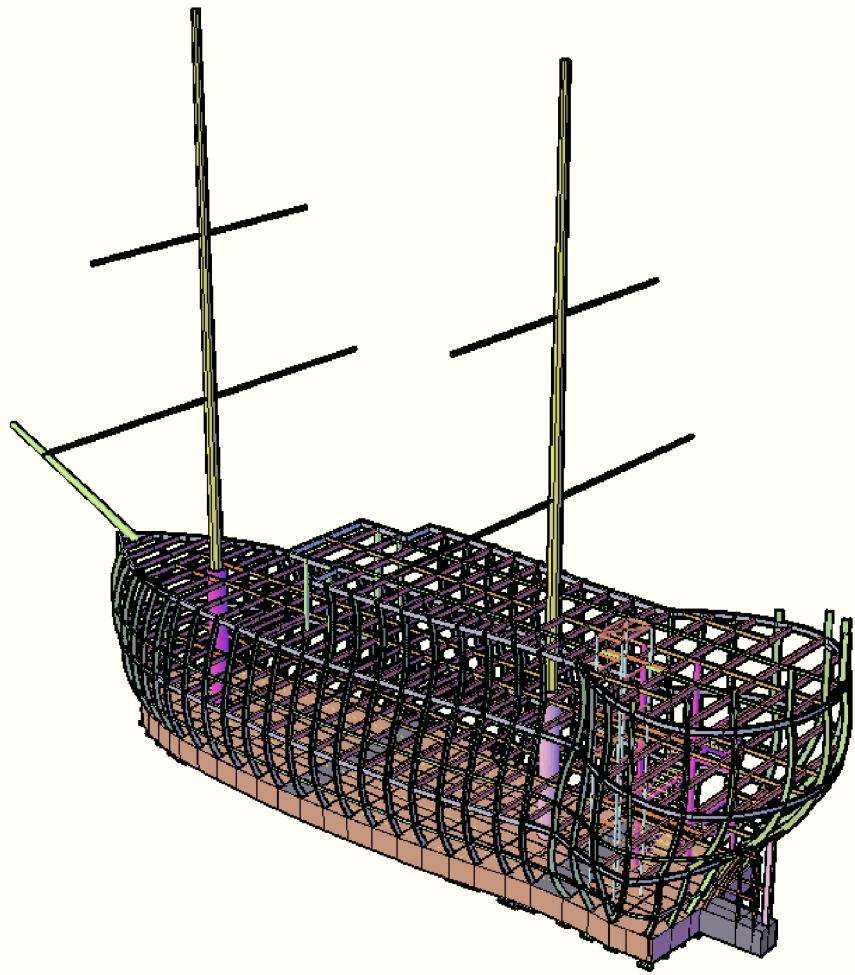
ISO838

7  
4



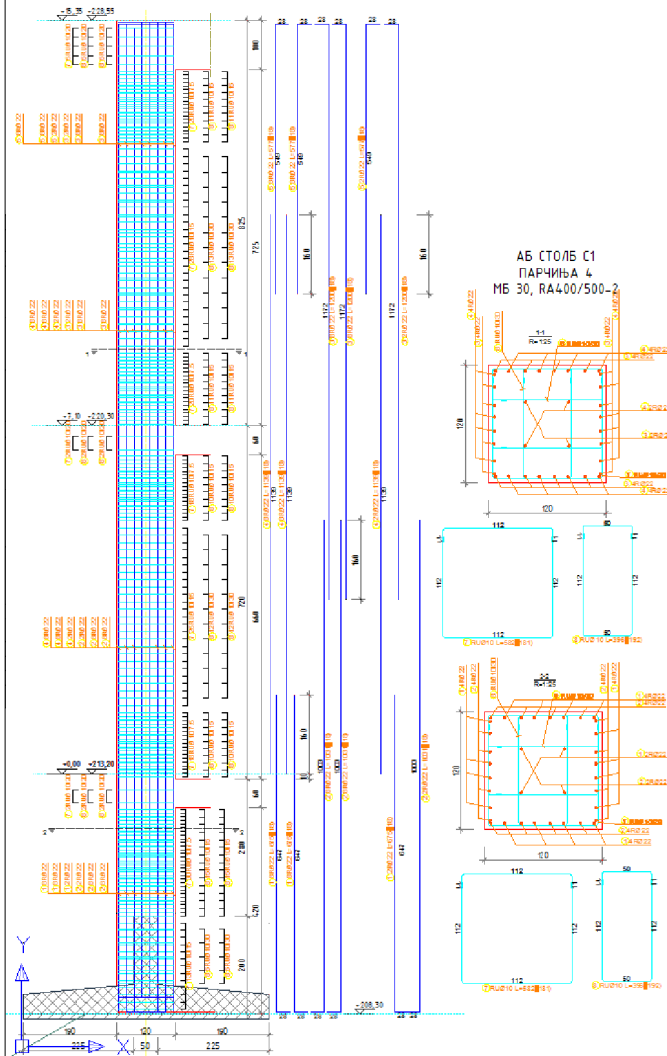
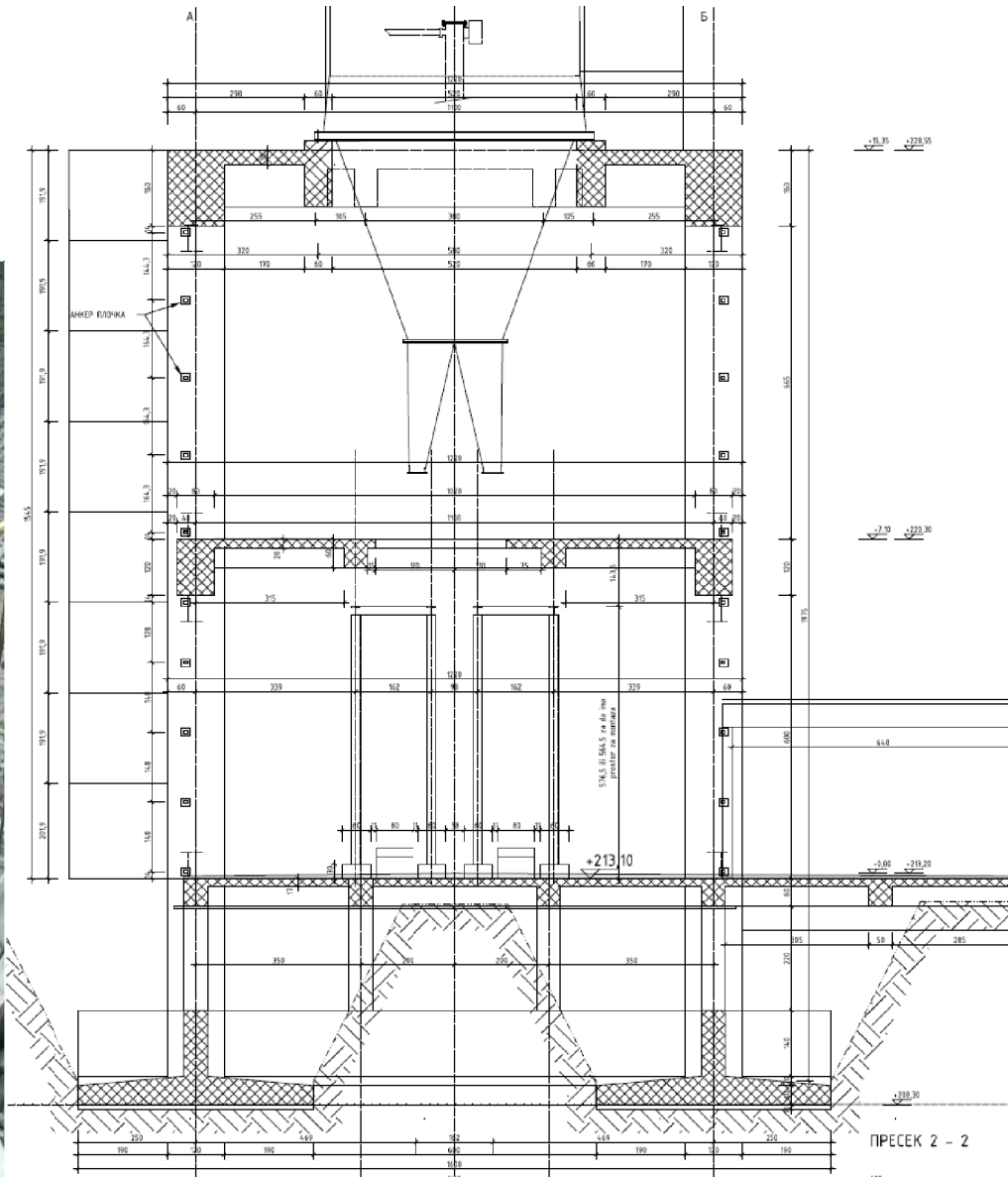
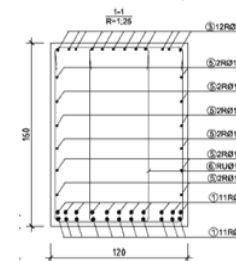
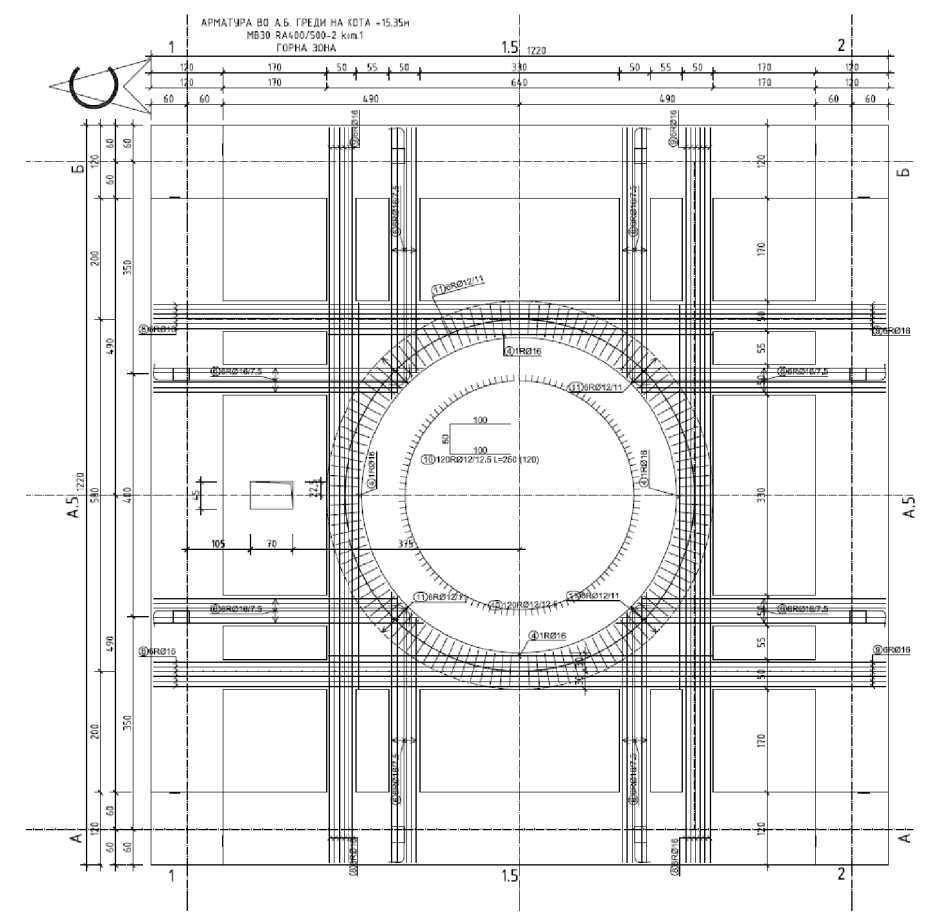
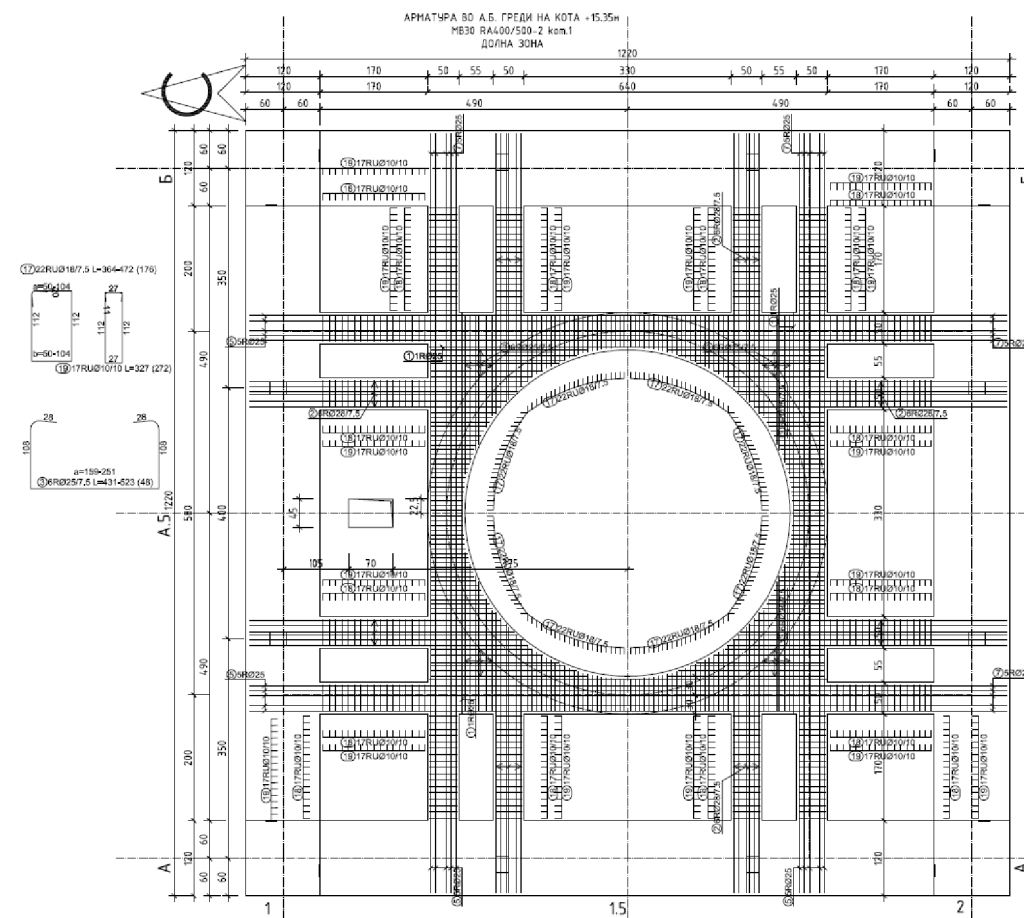
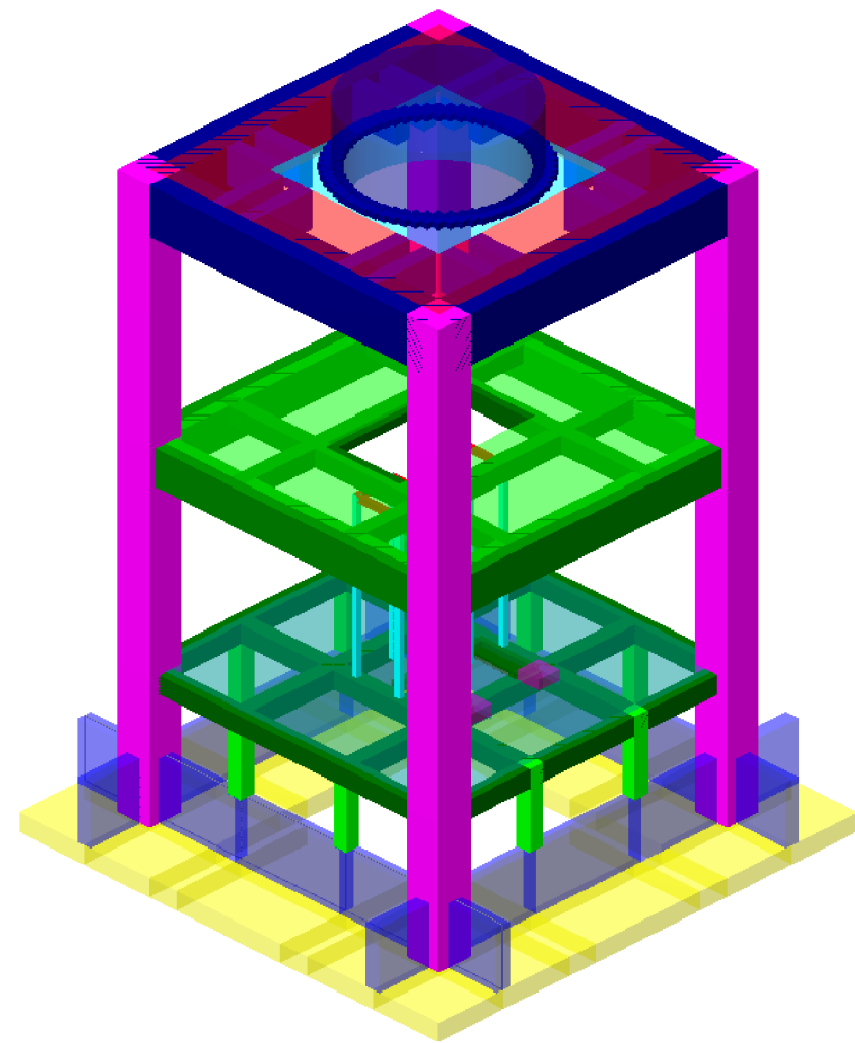
ПОЗИЦИЈА Гр.204; Гр.304; Гр.404 П.3 М 150





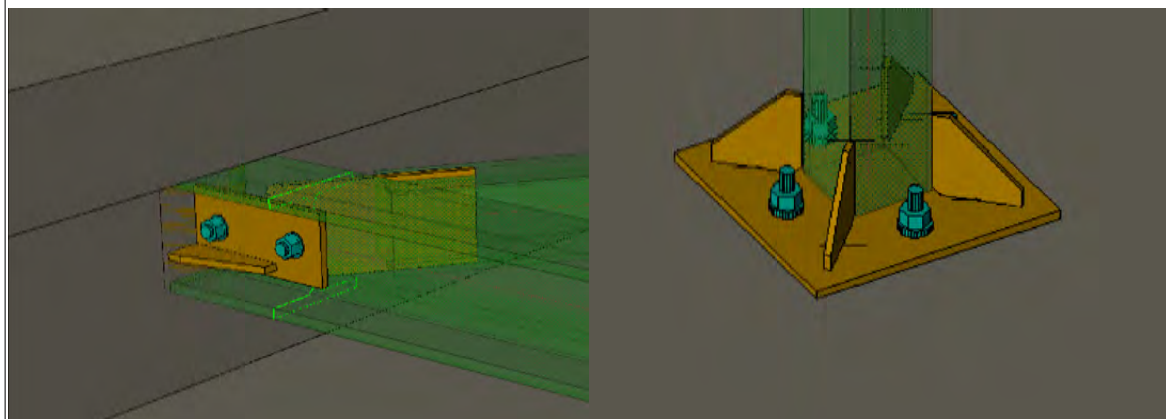
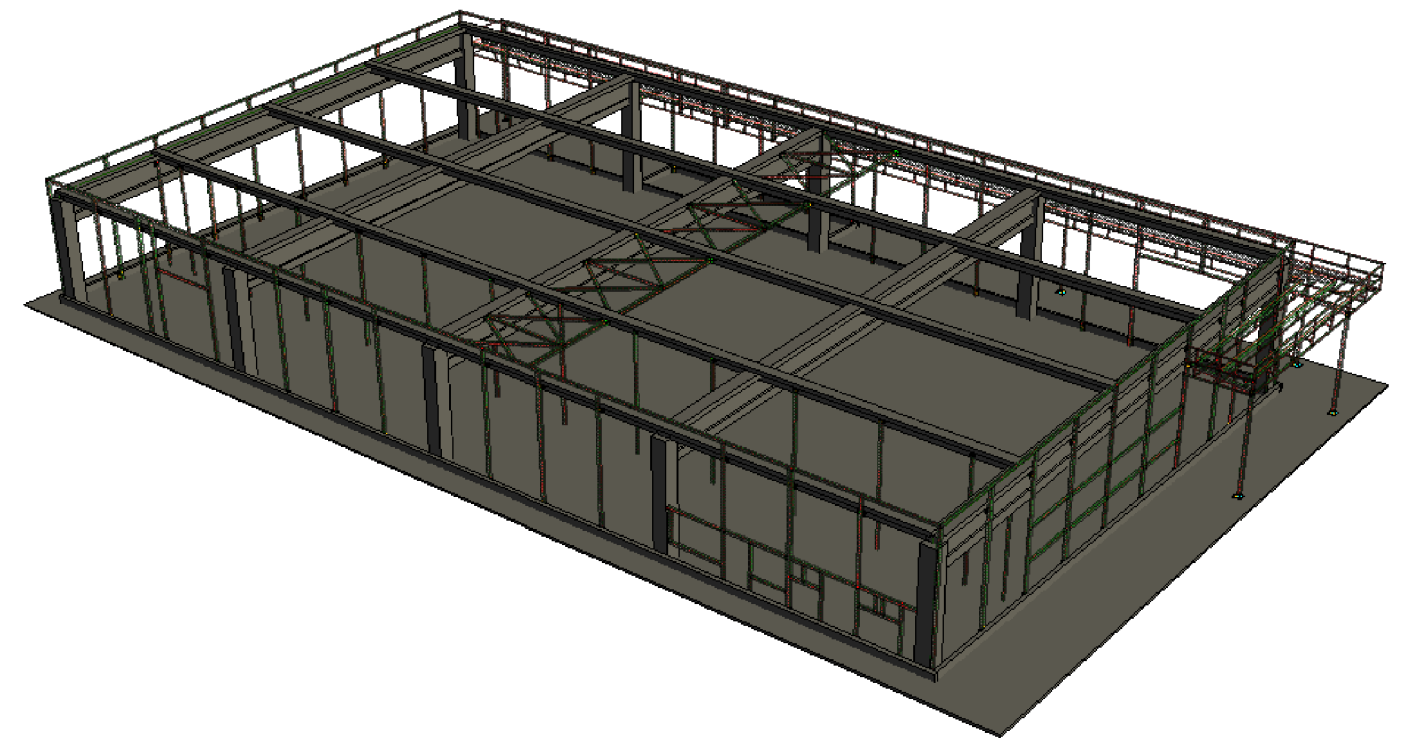
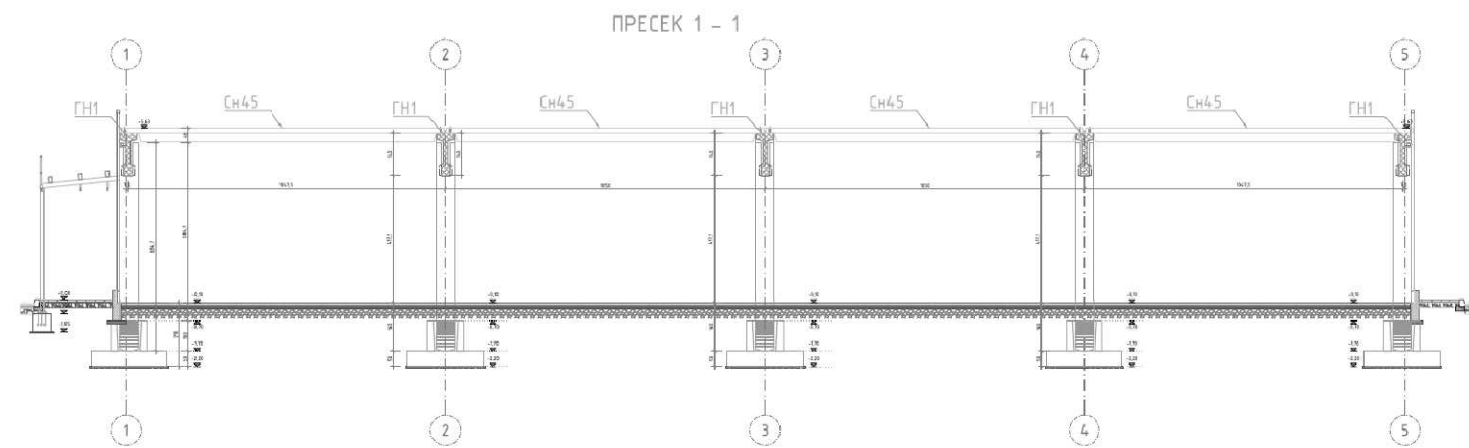
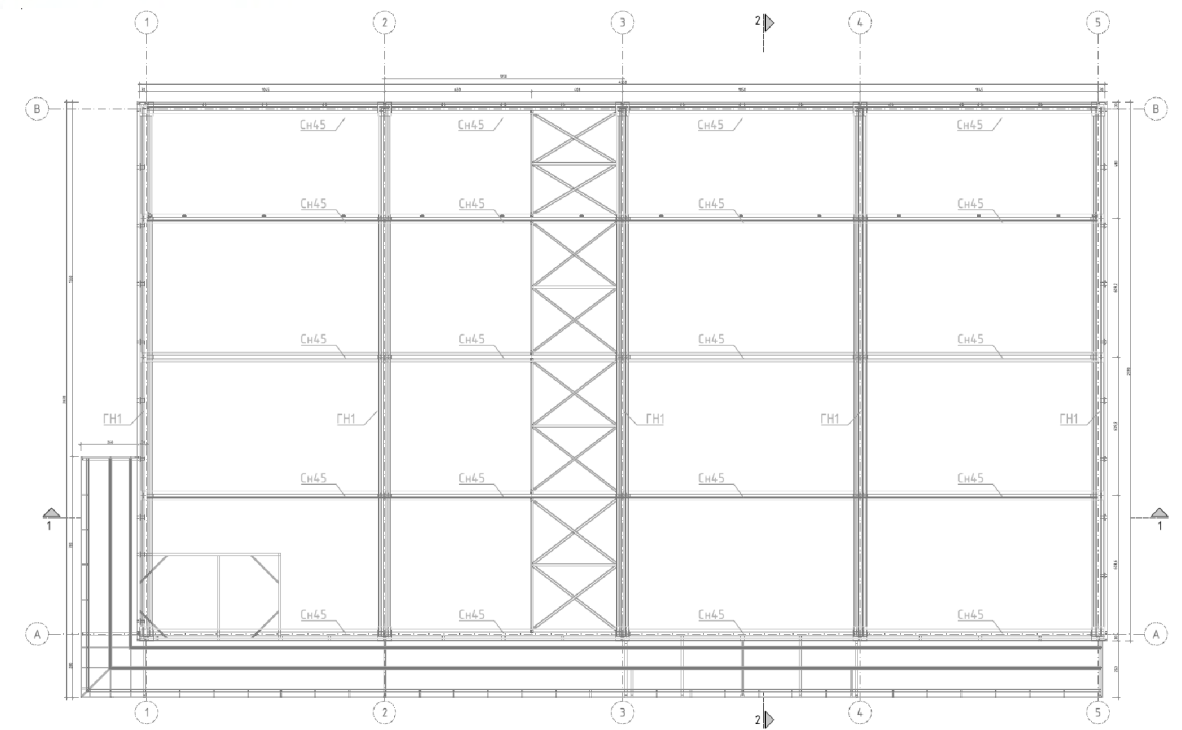
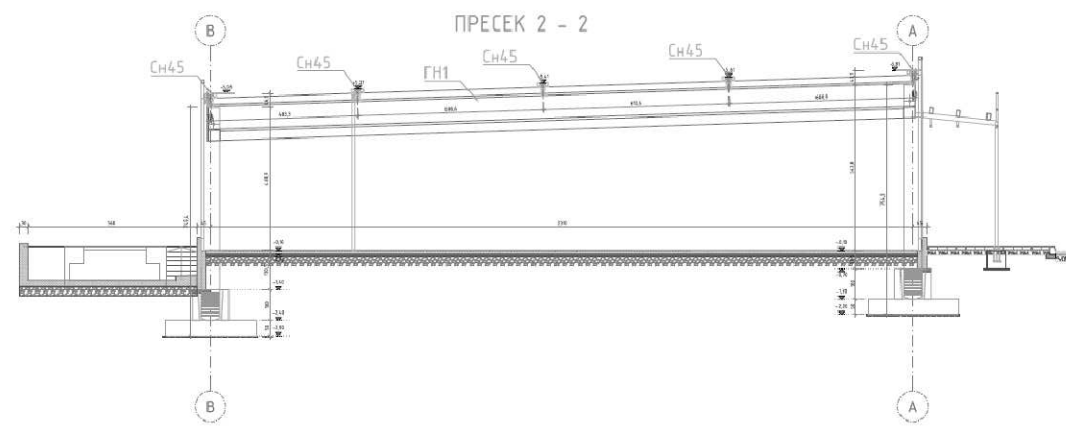
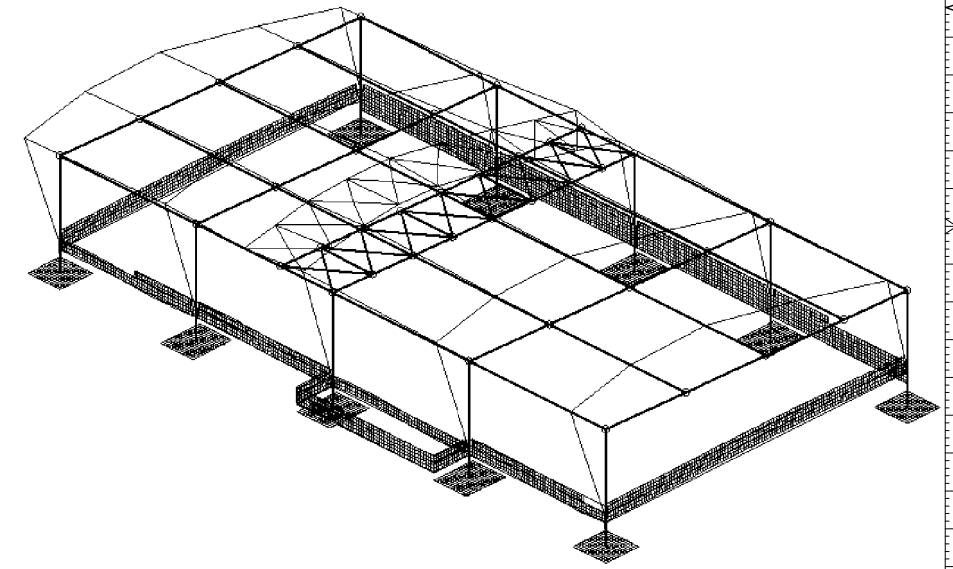
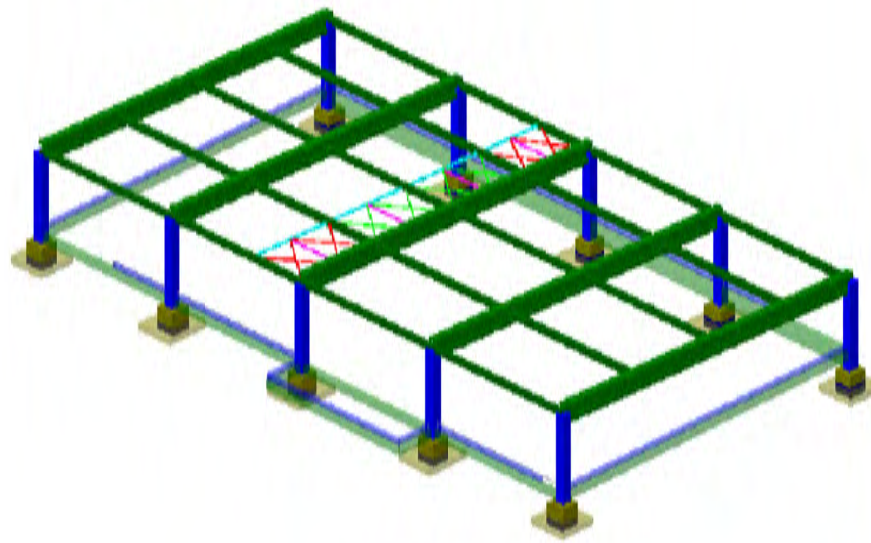
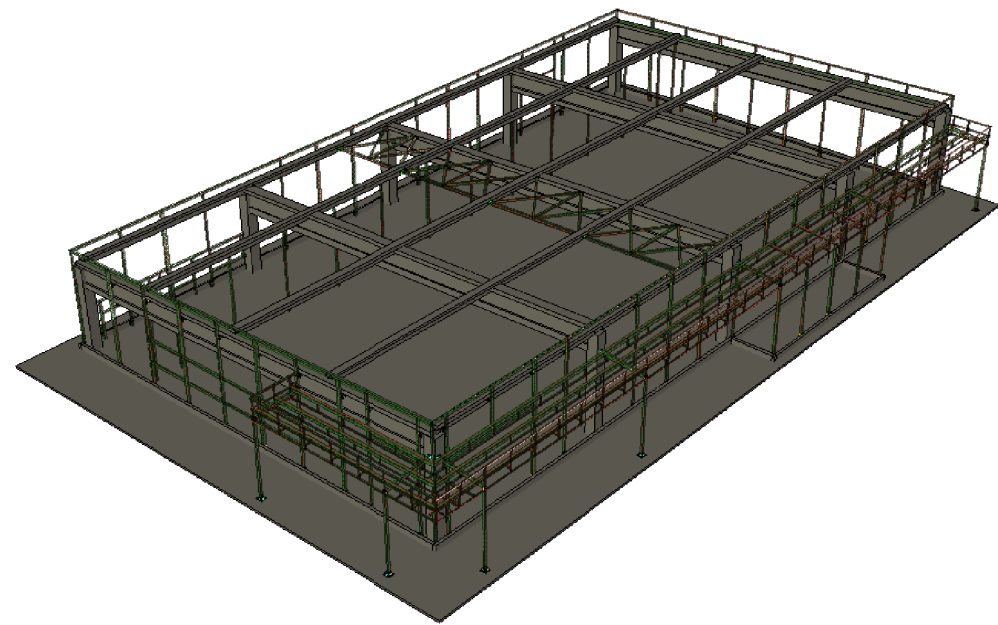
ISO838





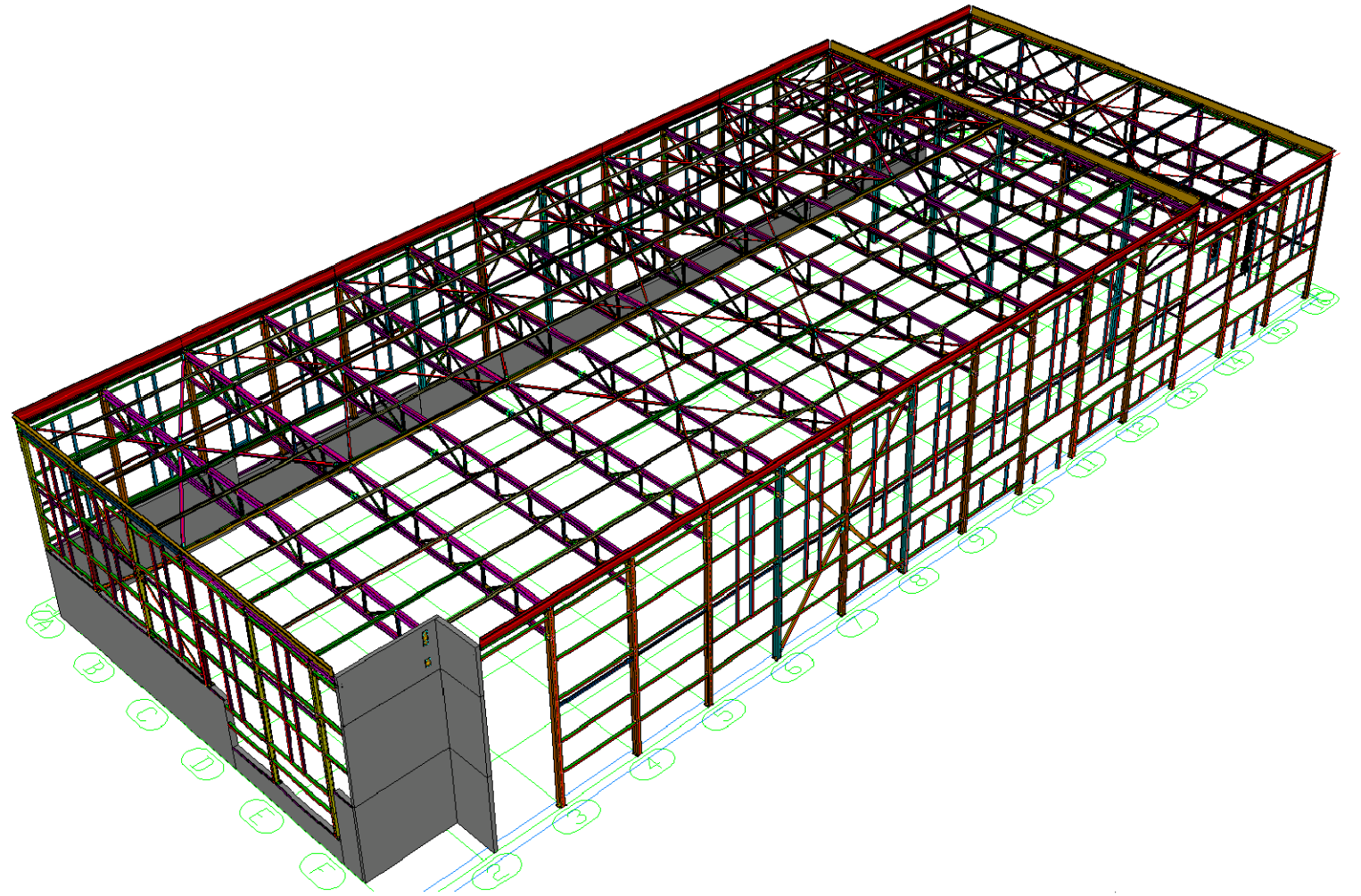
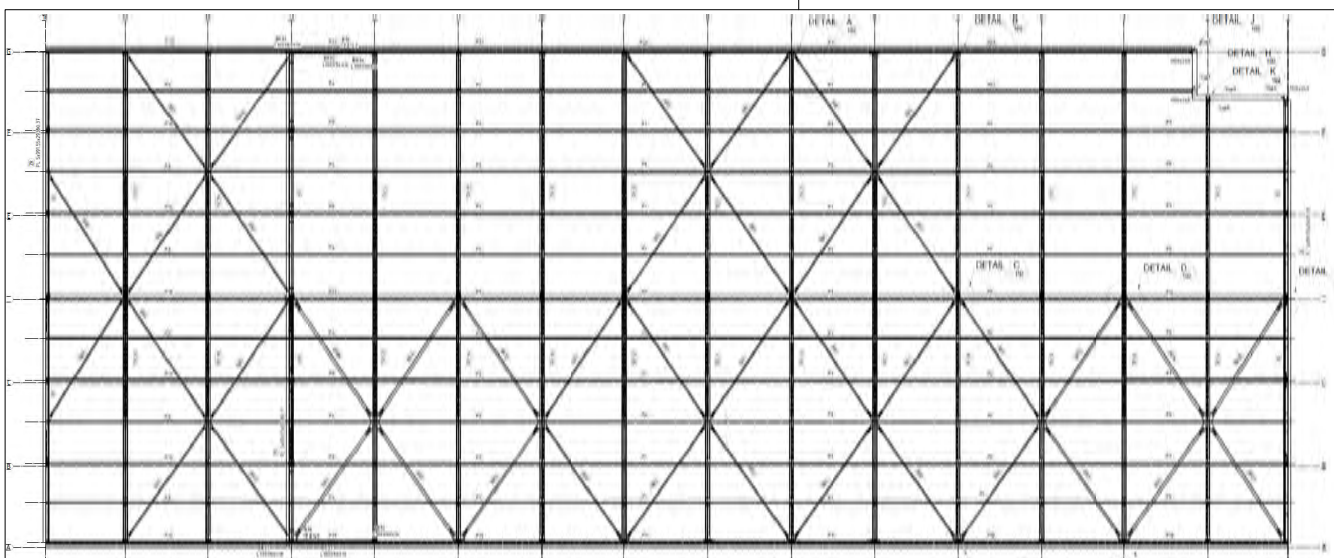
IS0838



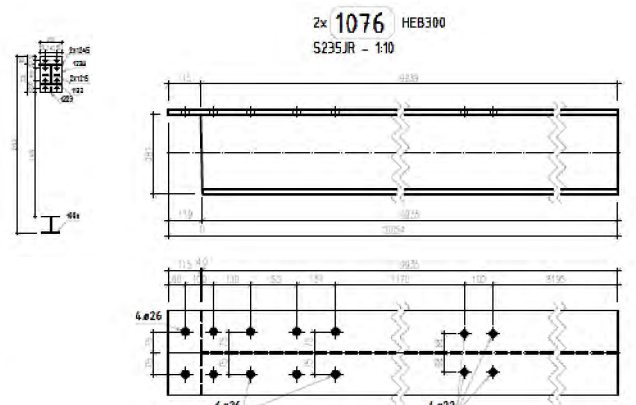
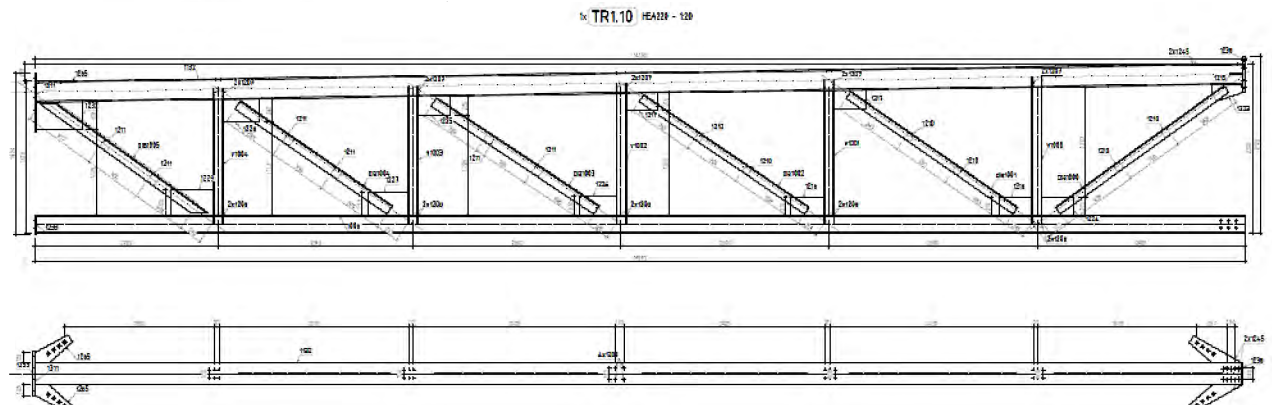
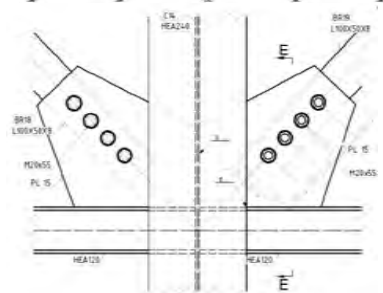
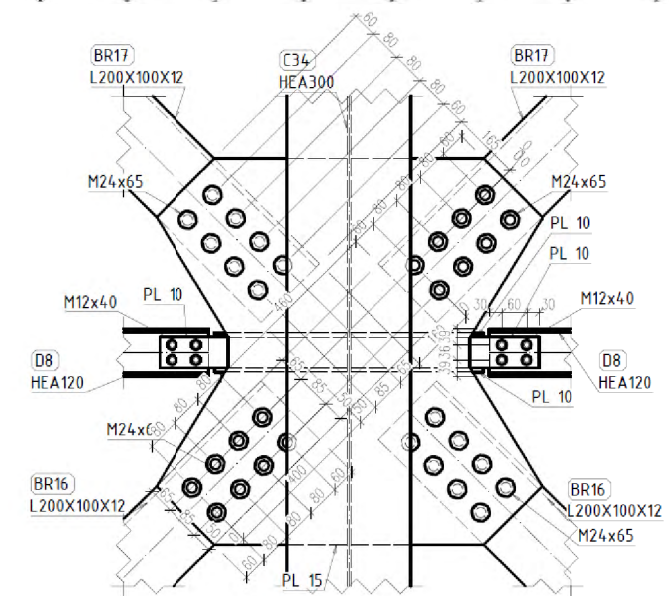
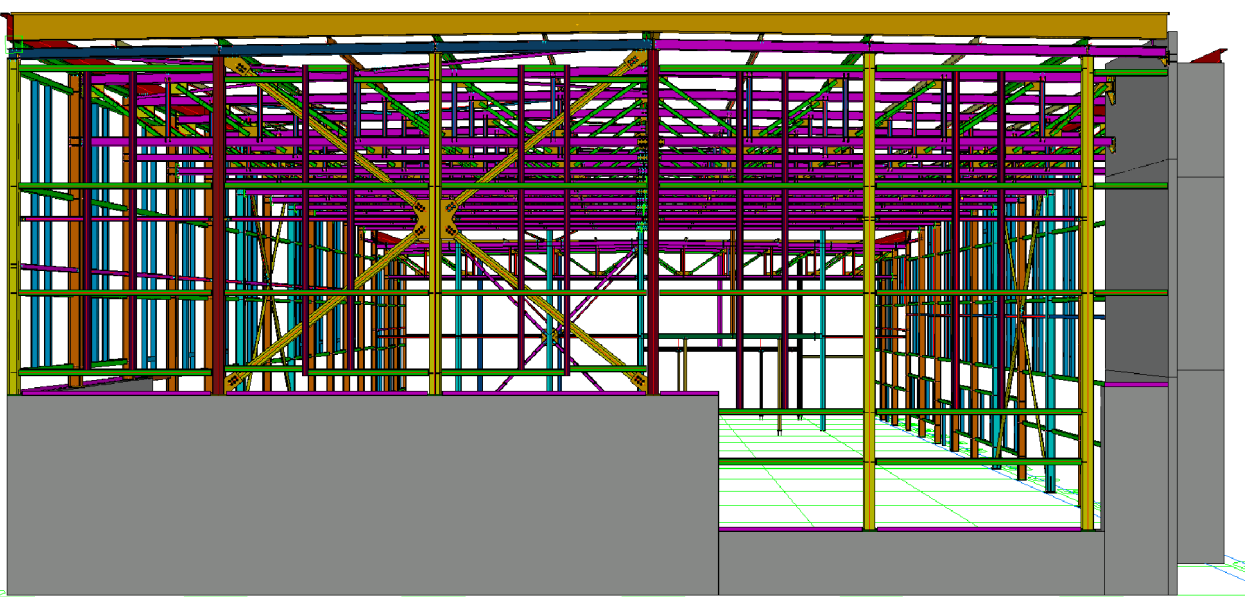
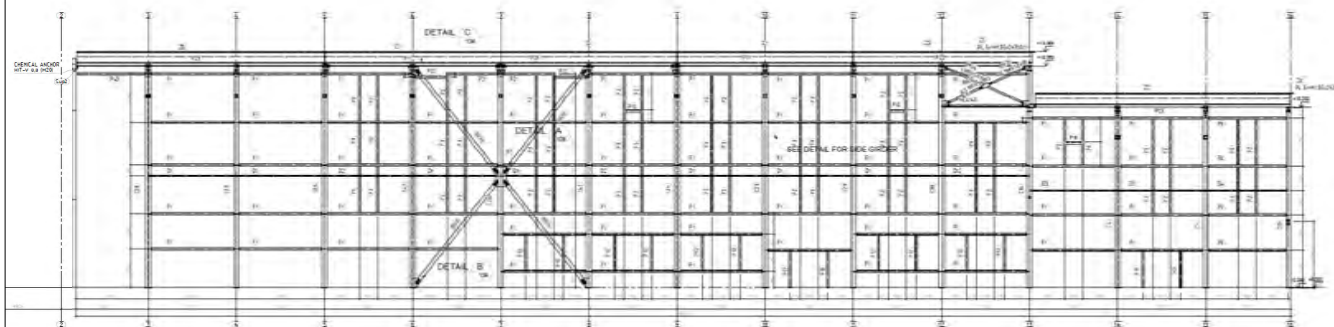
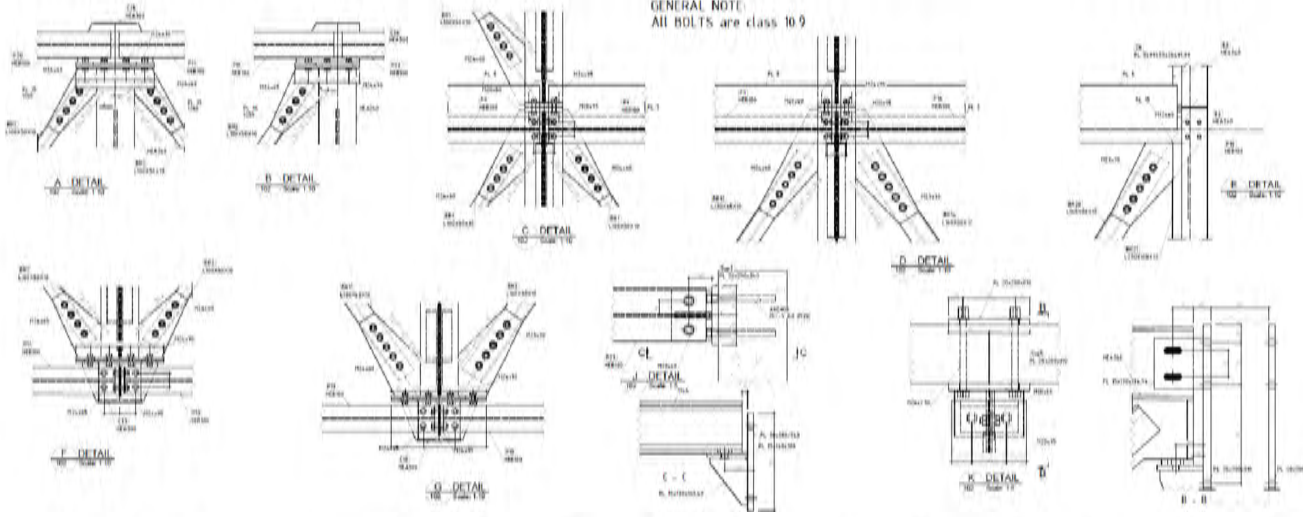


ISO838



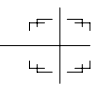
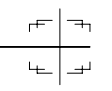


GENERAL NOTE:  
All BOLTS are class 10.9



**A DETAIL**  
103 Scale: 1:10

2x 1076 HEB300  
S235JR - 1:10



ISO838